

Scissor Grab SG

A mechanical grab universally suitable for use on building sites engaged in civil engineering work and paving work.

Universally suitable for pack sizes between 40 and 110 cm due to a large variable opening range. Easy transport of un-palletised building materials such as vertically steel-strapped paving blocks, slabs, kerb stones, etc.

The SG is a low cost grab with no additional width adjustment but with a large inside height.

► Fork sleeves with manual turning device ET-D (with additional lifting eye for crane hook), ET-D/B as well as EH 3000 for crane hook operation to be ordered additionally as accessories.

Standard Specifications:

- Quick height adjustment for SG 60/80/95.
- Automatic release for the fully automatic switch over from "full" to "empty".
- Highly durable, exchangeable rubber bars as gripping elements.

Type	Gripping Range* W mm (in)	Inside Height E mm (in)	Gripper Length L mm (in)	Carrying Capacity kg (lbs)	Dead Weight kg (lbs)	Order-Number
SG 20	700 – 1,100 (27½ – 43")	200 (7¾")	1,200 (47")	1,800 (4,000)	160 (355)	5310.0190
SG 40-UK	500 – 970 (19¾ – 38¾")	400 (15¾")	1,200 (47")	1,800 (4,000)	188 (415)	5310.0260
SG 60	400 – 1,100 (15¾ – 43")	600 (23½")	1,200 (47")	1,800 (4,000)	190 (420)	5310.0204
SG 80	400 – 1,100 (15¾ – 43")	800 (31½")	1,200 (47")	1,800 (4,000)	200 (440)	5310.0200
SG 95	400 – 1,100 (15¾ – 43")	950 (37½")	1,200 (47")	1,600 (3,550)	215 (470)	5310.0207
SG 100	700 – 1,200 (27½ – 47")	1,000 (39")	1,200 (47")	1,800 (4,000)	280 (620)	5310.0284

Accessories

Fork sleeves: manual turning device which engages itself every 90°. With security chain to avoid slipping.

ET-D/B with wider distance between the sleeves and with longer sleeves, specially suitable for

SG grabs.

► Security Net SSN (optional, see below) for operation of SG grabs in high-rise construction, is suspended underneath the load by hooking it into the handles of the SG grab.

Type	Carrying Capacity	Order-Number
ET-D, with additional lifting eye for crane hook	2,500 kg (5,500 lbs)	4310.0411
ET-D/B	2,500 kg (5,500 lbs)	4310.0373
EH 3000, lifting eye for crane hook operation	3,000 kg (6,600 lbs)	4011.0086
Suspension adapter AH-A to use the SG 40-UK grab in combination with the forksleeves ET-D/B		4310.0442
SSN - 1,2/1,4/0,9 for SG 40 UK	1,800 kg (4,000 lbs)	4520.0010
SSN - 1,5/1,5/1,25 for SG 60 and SG 80	1,800 kg (4,000 lbs)	4520.0045
SSN - 1,3/1,3/1,85 for SG 95	1,800 kg (4,000 lbs)	5500.0025

Mechanical Scissor Grab MPZ

A mechanical grab for different uses. It can also be used with fork lift trucks. On adjustable models there are no awkward projecting dops.

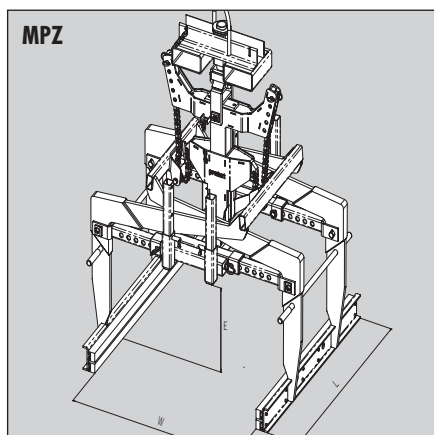
Suitable for lifting packs of building materials of the appropriate sizes and dimensions.

Adjustment of the gripping width by spring loaded, self catching pins.

Cubes of pavers can only be gripped when vertically steel strapped!

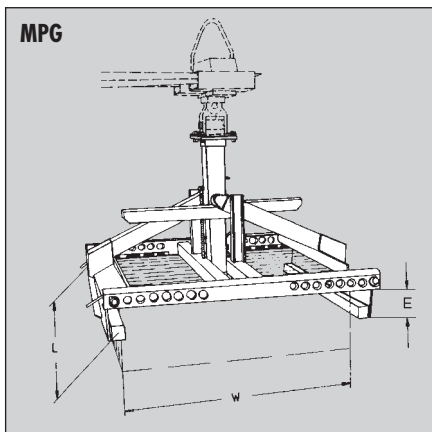
Standard Specifications:

- Fork sleeves, ET-D with manual turning device and lifting eye for crane hook.
- Manual turning device which engages itself every 90°.
- Automatic release for the fully automatic switch over from "full" to "empty".
- Highly durable exchangeable rubber metal bars as gripping elements.



Type	Gripping Range* W mm (in)	Inside Height E mm (in)	Gripper Length L mm (in)	Carrying Capacity kg (lbs)	Dead Weight kg (lbs)	Order-Number
MPZ 40/110-60-120	400 – 1,100 (15¾ – 43")	600 (23½")	1,200 (47")	1,600 (3,530)	340 (750)	5310.0306
MPZ 60/100-80-120	600 – 1,000 (23½ – 39")	800 (31½")	1,200 (47")	1,800 (3,970)	350 (770)	5310.0022
MPZ 60/120-95-125	600 – 1,200 (23½ – 47")	950 (37½")	1,250 (49")	2,000 (4,400)	440 (970)	5310.0026
Lower price without fork sleeves						5310.0030

* Opening width is given as the pack measurements, however the actual gripping width is bigger to position the open clamp over the cube.



Mechanical Slab Grab MPG

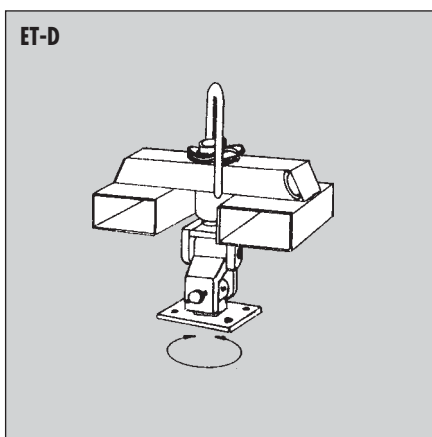
Especially suitable for the transport of paving slabs and kerb stones due to a low inside height. Otherwise equipped in the same way as the MPZ.

Standard Specifications:

- ▶ Lifting eye for attaching to crane hook.

- ▶ Standard flange plate for assembly of fork sleeves.
- ▶ Automatic release for the fully automatic switch over from "full" to "empty".
- ▶ Highly durable, exchangeable rubber metal bars as gripping elements.
- ▶ Joint plate for the installation of the fork sleeves ET-D (see page 3.1).

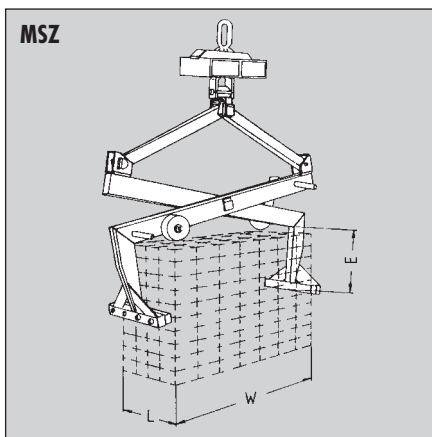
Type	Gripping Range* W mm (in)	Inside Height E mm (in)	Gripper Length L mm (in)	Carrying Capacity kg (lbs)	Dead Weight kg (lbs)	Order-Number
MPG 30/100-100	300 – 1,000 (11 3/4 – 39")	130 (5")	1,000 (39")	1,000 (2,200)	110 (240)	5310.0040
MPG 30/100-120	300 – 1,000 (11 3/4 – 39")	130 (5")	1,200 (47 1/4")	1,000 (2,200)	140 (310)	5310.0041



Accessory

Fork sleeve with lifting eye and manual turning device, engaging every 90°.

Type		Carrying Capacity kg (lbs)	Order-Number
ET-D	consisting of ET-D, incl. universal joint, mounting plate.	2,500 kg (5,500 lbs)	4310.0238



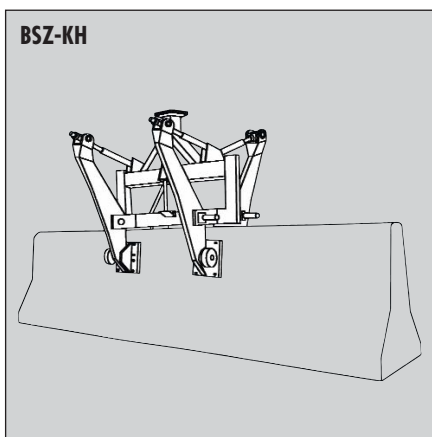
Mechanical Slab Grab MSZ

For the easy transport of vertically steel-strapped pavers, kerb stones, etc. Suitable for attaching to skid steered loaders which cannot transport a complete pack of pavers.

Standard Specifications:

- ▶ Lifting eye for attaching to crane hook.
- ▶ Fork sleeves for fork lift trucks.
- ▶ Automatic release for fully automatic switch over from "full" to "empty".
- ▶ Highly durable, exchangeable rubber metal bars as gripping elements.

Type	Gripping Range* W mm (in)	Inside Height E mm (in)	Gripper Length L mm (in)	Carrying Capacity kg (lbs)	Dead Weight kg (lbs)	Order-Number
MSZ	750 – 1,000 (29 1/2 – 39")	330 (13")	420 (16 1/2")	800 (1,750)	80 (175)	5310.0267



Concrete Highway Divider Clamp BSZ-KH

With this mechanical grab barrier walls can be gripped absolutely safe without leaving any marks on the concrete elements.

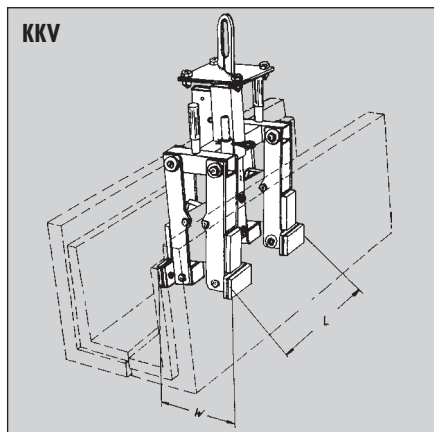
Standard Specifications:

- ▶ High rationalisation of staff costs.
- ▶ Rapid repetitive sequences

- ▶ Lifting eye for attaching to crane hook.
- ▶ Automatic release for the fully automatic switch over from "full" to "empty".
- ▶ Leaves no black marks.

Type	Gripping Range* W mm (in)	Carrying Capacity kg (lbs)	Dead Weight kg (lbs)	Order-Number
BSZ-KH	150 + 210 (6 + 8 1/4")	4,500 (9,900)	430 (950)	5310.0298

* Gripping area is given as the pack measurements, however the actual gripping area is bigger to position the open clamp over the cube.



Cable Channel Clamp KKV 20/50

For cable channels II-IF, III-IF, IIIa-IF, IV-IF.

- ▶ Fully mechanical grip which means it can be used at any carrier.
- ▶ Grips from the inside, so that it is extremely suitable for small spaces.
- ▶ Fully equipped with three sets of exchangeable adapters (to be plugged), so that the full opening range can be achieved.

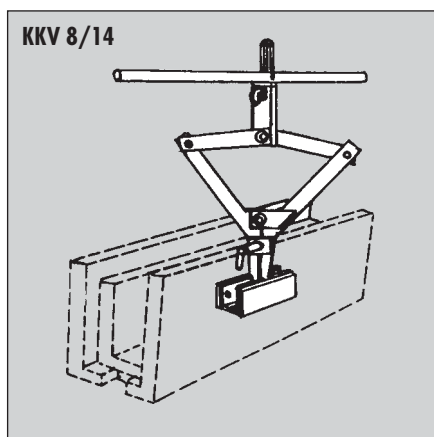
Standard Specifications:

- ▶ Lifting eye for crane hook.
- ▶ Automatic release for the fully automatic switch over from "full" to "empty".
- ▶ Exchangeable rubber metal bars as gripping elements.

Type	Gripping Range* W mm (in)	Gripper Length L mm (in)	Carrying Capacity kg (lbs)	Dead Weight kg (lbs)	Order-Number
KKV 20/50	185 – 540 (7 ¹ / ₄ – 21 ¹ / ₄ "	400 (15 ³ / ₄ "	500 (1100)	50 (110)	5310.0060

List of Additional Adapters for the KKV

Adapter	Observation	Opening Width min. – max. mm (in)	Standard	Size	Order-Number
A0	comes with the machine	185 – 215 (7 ¹ / ₄ – 8 ¹ / ₂ "			Standard
A1	serial	215 – 250 (8 ¹ / ₂ – 9 ³ / ₄ "	II-IF/II-IF	240/230 / 240/220	Standard
A2	serial	340 – 375 (13 ³ / ₂ – 14 ³ / ₄ "	IIIa-IF	355/345	Standard
A3	serial	520 – 555 (20 ¹ / ₂ – 22"	IV-IF	540/530	Standard
A4	extra price	270 – 305 (10 ³ / ₄ – 12"	II	300/270	4310.0010
A5	extra price	370 – 405 (14 ¹ / ₂ – 16"	III	400/370	4310.0011
A6	extra price	470 – 505 (18 ¹ / ₂ – 19 ³ / ₄ "	IV	500/470	4310.0012
A7	extra price	570 – 605 (22 ³ / ₂ – 23 ³ / ₄ "	V	600/570	4310.0013



Cable Channel Clamp KKV 8/14

- ▶ For cable channels size I – IF
- ▶ Grips from the inside
- ▶ Fully mechanical operated, with handles and lifting eye.

- ▶ Handles turnable to 90°
- ▶ Exchangeable rubber metal bars as gripping elements.
- ▶ Galvanised finish

Type	Gripping Range* W mm (in)	Gripper Length L mm (in)	Carrying Capacity kg (lbs)	Dead Weight kg (lbs)	Order-Number
KKV 8/14	80 – 140 (3 ¹ / ₄ – 5 ¹ / ₂ "	270 (10 ³ / ₄ "	100 (220)	12 (26)	5310.0061

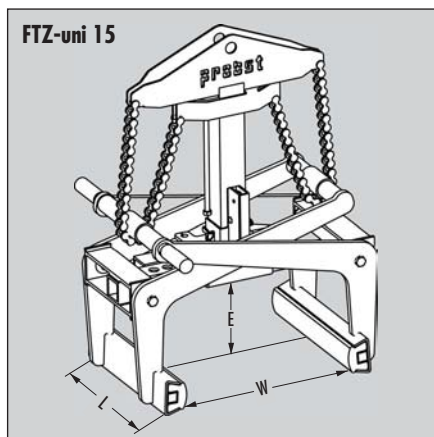
Grab for Prefabricated Concrete Products FTZ

Suitable for handling concrete components, prefabricated concrete wall units, steps, kerb stones, natural stones etc.

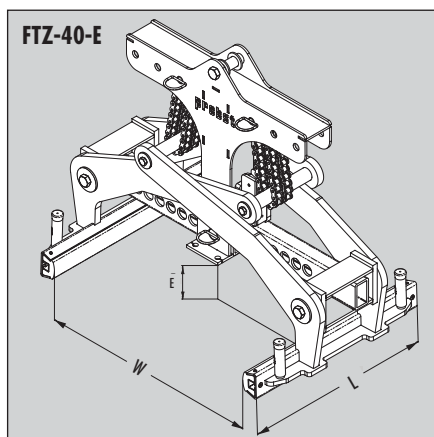
NEW: The FTZ-uni 15/FTZ-maxi 15 can be used among other things for handling uneven natural kerb stones, due to high gripping force.

Standard Specifications:

- ▶ Easily adjustable opening width by a spring loaded bolt.
- ▶ Lifting eye for attaching to crane hook.
- ▶ Automatic release for the fully automatic switch over from "full" to "empty".
- ▶ Exchangeable rubber metal bars as gripping elements.



Type	Gripping Range* W mm (in)	Inside Height E mm (in)	Gripper Length L mm (in)	Carrying Capacity kg (lbs)	Dead Weight kg (lbs)	Order-Number
FTZ-I	50 – 520 (2 – 20 ¹ / ₂ "	170 (6 ³ / ₄ "	420 (16 ¹ / ₂ "	900 (2,000)	55 (120)	5310.0120
FTZ-uni 15	0 – 750 (0 – 29 ¹ / ₂ "	255 (10"	420 (16 ¹ / ₂ "	1,500 (3,300)	85 (185)	5310.0256
FTZ-maxi 15/42	200 – 1,200 (7 ³ / ₄ – 47"	255 (10"	420 (16 ¹ / ₂ "	1,500 (3,300)	105 (230)	5310.0300
FTZ-40-E	50 – 800 (2 – 31 ¹ / ₂ "	185 (7 ¹ / ₄ "	720 (28 ³ / ₄ "	4,000 (8,800)	220 (480)	5310.0268
FTZ-40	600 – 1,100 (23 ¹ / ₂ – 43"	180 (7"	1,000 (39"	4,000 (8,800)	240 (530)	5310.0228

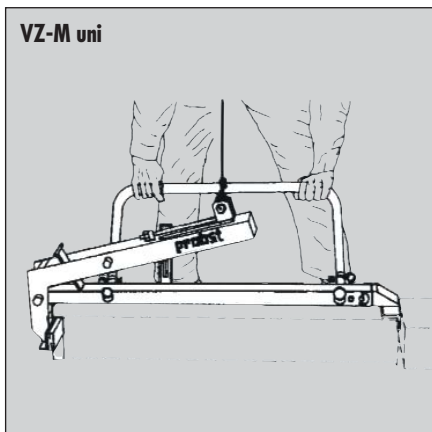


Accessories

Adapter for Kassel Kerb Stone A-FTZ-KB for FTZ-uni 15 to extend gripping depth on one side to 290 mm (2 Adapters necessary if gripping depth should be extended on both sides).	4310.0575
Adjustable Height Stop HVA-FTZ-uni/maxi for FTZ-uni 15/maxi 15/42, adjustable range approx. 140 - 255 mm	4310.0483
Adjustable Height Stop HVA-KB-FTZ-uni/maxi for FTZ-uni 15/maxi 15/42, specially designed for Kassel Kerb Stones	4310.0576
Adjustable Height Stop HVA-FTZ-40-E for FTZ-40-E, adjustable range approx. 100 - 170 mm	4310.0568

* Possible measurement between the grippers. The size of the products to be lifted must be approx. ± 30 mm within the given range.

VZ-M uni



Kerb Stone Clamp VZ-M uni

Fully mechanical operation for use with any wheel loader, excavator or other carriers.

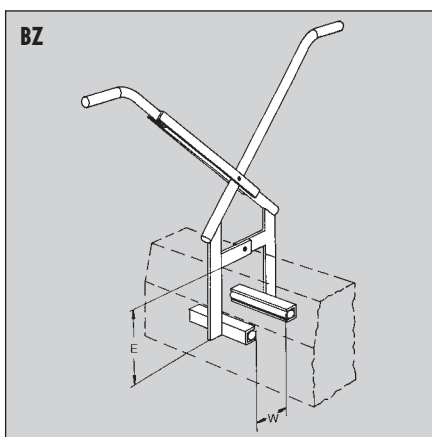
Standard Specifications:

- ▶ Lifting eye for attaching to crane hook.
- ▶ Handles for optimal guidance of the clamp.
- ▶ Automatic release for the fully automatic switch over from "full" to "empty".

Type	Gripping Range* W mm (in)	Carrying Capacity kg (lbs)	Dead Weight kg (lbs)	Order-Number
VZ-M uni	900 – 1,065 (35 1/2 – 42 1/4")	250 (550)	21 (45)	5310.0275

See page 1.7 for the Hydraulic Kerb Stone Clamp VZ-H

BZ



Kerb Stone Handles BZ

For the handling of kerb stones, edging stones, gutters and similar. Also for natural kerb stones.

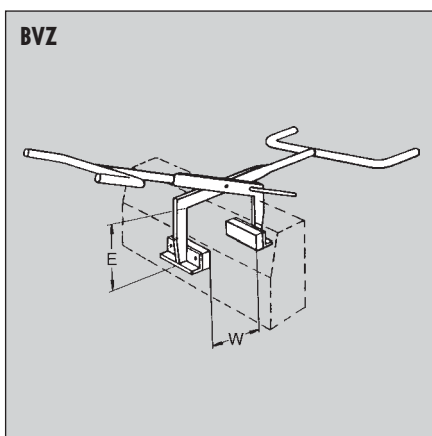
The plumb line remains completely free through a short intervening.

We recommend, using the kerb stone handles in pairs.

- ▶ Galvanised finish
- ▶ Exchangeable rubber grippers

Type	Gripping Range* W mm (in)	Inside Height E mm (in)	Gripper Length L mm (in)	Carrying Capacity kg (lbs)	Dead Weight kg (lbs)	Order-Number
BZ	0 – 400 (0 – 15 3/4")	200 (7 3/4")	150 (6")	150 (330)	4 (9)	5320.0084

BVZ



Universal Handles BVZ

A large adjustable opening range means the BVZ can be universally used for all gardening and landscaping-design products.

Exchangeable rubber metal bars as gripping elements.

- ▶ Galvanised finish
- ▶ Pin bolts to adjust the opening width.

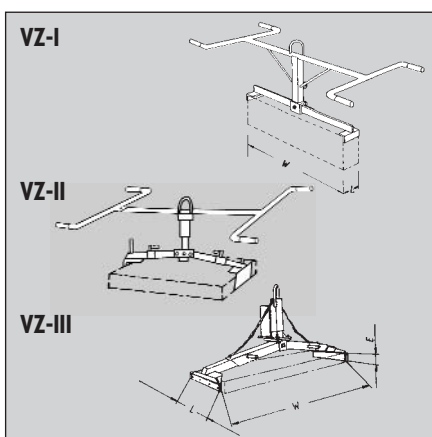
Standard Specifications:

- ▶ Removable handles

Type	Gripping Range* W mm (in)	Inside Height E mm (in)	Gripper Length L mm (in)	Carrying Capacity kg (lbs)	Dead Weight kg (lbs)	Order-Number
BVZ	0 – 550 (0 – 21 3/4")	210 (8 1/4")	200 (7 3/4")	200 (440)	12 (26)	5320.0020

* Possible measurement between the grippers. The size of the products to be lifted must be approx. ± 30 mm within the given range.

VZ-I



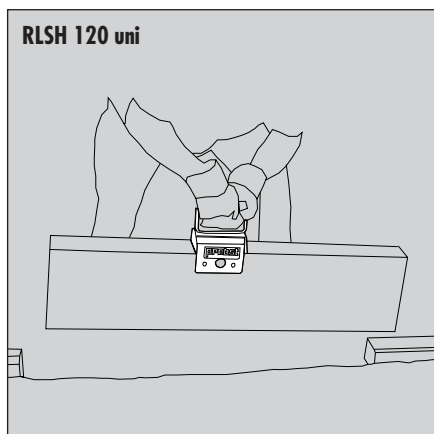
Kerb Stone Handles VZ

Especially suitable for handling concrete kerb stones. The one-sided angular supports which are placed on the kerb stone already in place enable an extremely narrow joint.

▶ Grips longitudinally so that it can be used in tightest spaces.

- ▶ No deflection of the plumb line.
- ▶ All models are equipped with a lifting eye.
- ▶ The VZ I has a galvanised finish.
- ▶ The VZ II and VZ III come complete with rubber grippers, suitable for moving large slabs. The VZ III is also equipped with automatic release.

Type	Gripping Range* W mm (in)	Inside Height E mm (in)	Gripper Length L mm (in)	Carrying Capacity kg (lbs)	Dead Weight kg (lbs)	Order-Number
VZ I	500 – 1,045 (19 3/4 – 41 1/4")	40 (1 1/2")	100 (4")	100 (220)	12 (26)	5310.0140
VZ II	700 – 1,000 (27 1/2 – 39")	50 (2")	200 (7 3/4")	300 (660)	25 (55)	5310.0141
VZ III	1,000 – 1,700 (39 – 67")	60 (2 1/4")	420 (16 1/2")	1,000 (2,200)	60 (132)	5310.0142



Kerb and Strip Stone handle RLSH

The perfect and clever handle for small kerbs and strips. Easy handling features quick, efficient and safe laying.

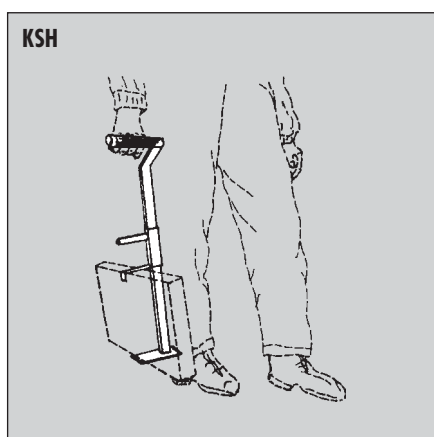
Lifting and laying of stones in ergonomic posture.

- ▶ compact size and und little dead weight
- ▶ easy jamming and release by just twisting the handle

▶ LSH 80 – suitable for kerb and strip stones with a width of 80 mm (3.15 inch)

▶ LSH 120 – suitable for kerb and strip stones with a width from 60 to 120 mm (from 2.36 to 4.72 inch)

Type	for Width of Stones mm (in)	Carrying Capacity kg (lbs)	Dead Weight kg (lbs)	Order-Number
RLSH 80	80 (3 1/4")	80 (175)	2,5 (5)	5320.0091
RLSH 120 uni	60 – 120 (2 1/4" – 4 3/4")	80 (175)	3,0 (7)	5320.0092



Kerb Slab Lifter KSH

For transporting lawn edging stones, slabs, etc. The device grips the slab from underneath while at the same time the gripper bar at the top prevents the slab from slipping off.

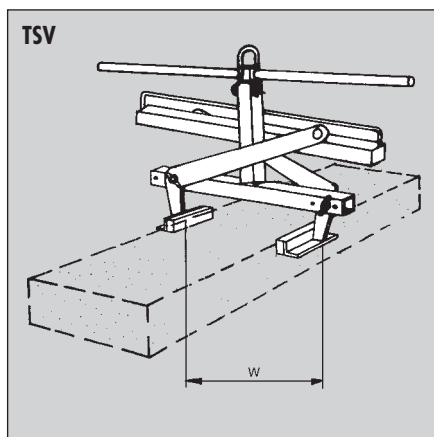
- ▶ Universally suitable for all kerb slabs up to

400 mm in height and 40 mm to 100 mm thickness.

▶ We recommend using these in pairs when lifting parts of 1 m in length.

- ▶ Galvanised finish

Type	Gripping Range W mm (in)	Inside Height E mm (in)	Gripper Length L mm (in)	Carrying Capacity kg (lbs)	Dead Weight kg (lbs)	Order-Number
KSH	40 – 100 (1 1/2 – 4")	170 – 400 (6 3/4 – 15 3/4")	50 (2")	60 (130)	1.3 (3)	5320.0080



Concrete Step Handles TSV

Universal handles due to a large adjustable opening range. Suitable for steps, kerbs, L-stones, etc.

Standard Specifications:

- ▶ Lifting eye for attaching to crane hook.

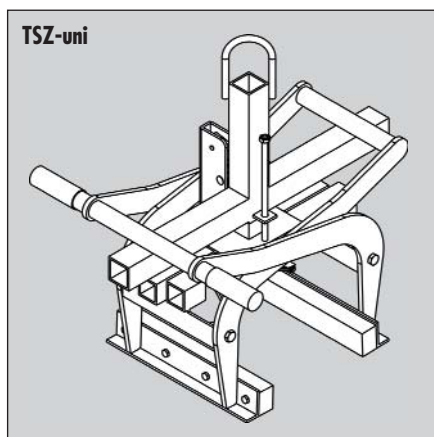
▶ Carrying handle

▶ Carrying handle turnable by 90° according to the working space.

▶ Exchangeable rubber grippers

▶ Galvanised finish

Type	Gripping Range* W mm (in)	Inside Height E mm (in)	Gripper Length L mm (in)	Carrying Capacity kg (lbs)	Dead Weight kg (lbs)	Order-Number
TSV	70 – 500 (2 3/4 – 19 3/4")	125 (5")	200 (7 3/4")	250 (550)	18 (39)	5310.0130



Concrete Step Handles TSZ-uni

Suitable for handling steps, kerb stones, L-stones, etc. in conjunction with a lifting device. Easily adjustable opening width by means of a spring-loaded bolt.

- ▶ Considerable inside height

Conical kerb stones are also gripped securely, as the gripper has an inside height of 180 mm thus being able to grip underneath the conical form.

Standard Specifications:

▶ Lifting eye for attaching to crane hook.

▶ Automatic release for fully automatic switch-over from "full" to "empty".

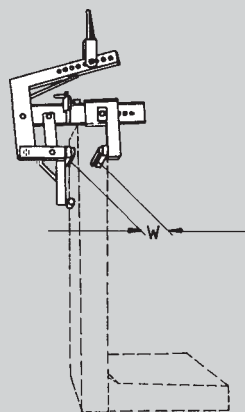
▶ Exchangeable rubber grippers

▶ Galvanised finish

Type	Gripping Range* W mm (in)	Inside Height E mm (in)	Gripper Length L mm (in)	Carrying Capacity kg (lbs)	Dead Weight kg (lbs)	Order-Number
TSZ-uni	50 – 570 (2 – 22 1/2")	185 (7 1/4)	350 (13 3/4")	500 (1,100)	29 (64)	5310.0251

* Possible measurements between the grippers. The product measurements must be within approx. ± 30 mm of the given range.

WEZ



Grab for Angular Concrete Products WEZ

Specially developed for handling L-stones and similar products.

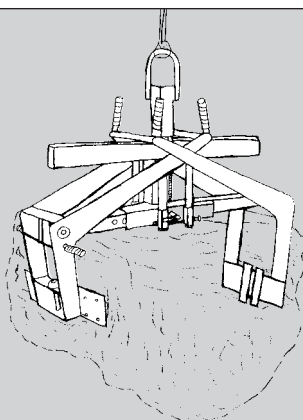
The lifting eye can be adjusted to the center of gravity of the product being lifted to let it hang vertically.

Standard Specifications:

- ▶ Lifting eye for attaching to crane hook.
- ▶ Highly durable and exchangeable rubber grippers.
- ▶ Automatic release for the fully automatic change over from "full" to "empty".

Type	Gripping Range* W mm (in)	Carrying Capacity kg (lbs)	Dead Weight kg (lbs)	Order-Number
WEZ 1	15 – 245 (1/2 – 9 3/4")	1,000 (2,200)	50 (110)	5310.0171
WEZ 3	100 – 300 (4" – 11 3/2")	3,000 (6,600)	180 (395)	5310.0304

SQZ



Rock-Clamp SQZ

The Universal Laying Clamp for all kinds of ashlar rock in the landscaping contracting. Equipped with two special, swivelling steel-finger grippers to adapt to the irregular shape of the rocks to provide highest gripping security. Quick adjustment of the opening range by spring loaded bolts.

Standard Specifications:

- ▶ Lifting eye for attaching to crane hook.
- ▶ Handles to guide the clamp
- ▶ Height adjustment
- ▶ Automatic release for the fully automatic switch over from "full" to "empty".

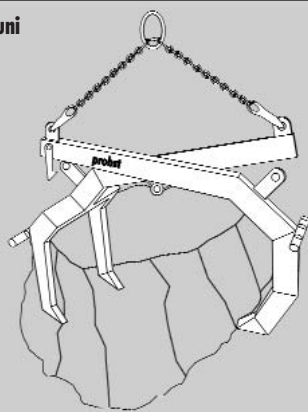
Type	Gripping Range* W mm (in)	Inside Height E mm (in)	Carrying Capacity kg (lbs)	Dead Weight kg (lbs)	Order-Number
SQZ	200 – 850 (7 3/4 – 33 1/2")	300 (11 3/4")	1,000 (2,200)	98 (215)	5310.0125

Accessory

The SQZ clamp can be additionally equipped with rubber grippers in order to handle delicate concrete elements gently.

Type	Description	Order-Number
Set of Rubber Grippers for SQZ	to be exchanged against the standard steel finger grippers (exchange without the need of tools).	4001.0078

FVZ-uni



Mechanical Bolder Grab FVZ-uni

Suitable for handling boulders. Stones of almost all shapes can be lifted and laid to the exact millimetre.

▶ With chains (by changing the chain-position,

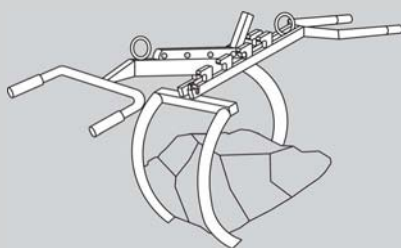
the clamp can be lifted after setting of the stone).

▶ Automatically adjustable opening width from 0 to a maximum of 950 mm.

▶ With lifting eye for attaching to crane hook.

Type	Gripping Range* W mm (in)	Carrying Capacity kg (lbs)	Dead Weight kg (lbs)	Order-Number
FVZ-uni	0 – 950 (0 – 37 1/2")	1,500 (3,300)	85 (189)	5310.0272

H-FVZ-uni



Manual Bolder Grab H-FVZ-uni

A manual bolder grab for smaller boulders which can be carried by two men.

▶ Additionally equipped with a ring-eyelet to be hooked onto any kind of lifting device,

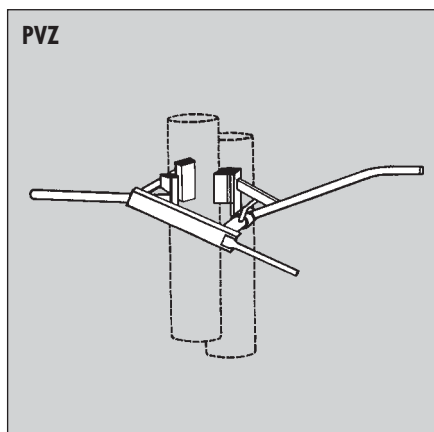
regarding the admissible carrying capacity.

▶ Equipped with a simple and fast opening range adjustment.

▶ Galvanised finish

Type	Gripping Range* W mm (in)	Carrying Capacity kg (lbs)	Dead Weight kg (lbs)	Order-Number
H-FVZ-uni	0 – 600 (0 – 23 1/2")	200 (440)	18 (40)	5320.0086

* Possible measurement between the grippers. The product measurements must be within approx. ± 30 mm of the stated range.



Column Handles PVZ

Especially suitable for the carrying and laying of round and rectangular concrete or wooden columns. Diameter: 180 – 200 mm.

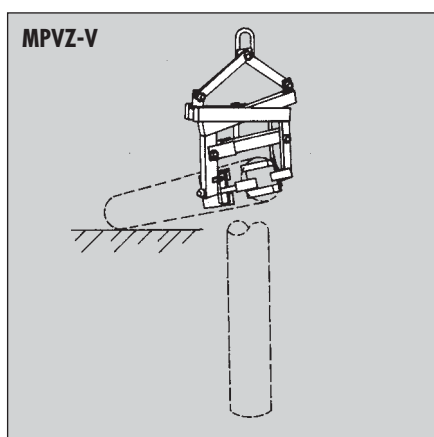
▶ Clamping is independent of the length.

▶ Constructed in such a way that the columns can be set close enough to touch one another.

▶ The PVZ-V is an adjustable model.

▶ Galvanised finish

Type	Gripping Range* W mm (in)	Gripper Length L mm (in)	Carrying Capacity kg (lbs)	Dead Weight kg (lbs)	Order-Number
PVZ	200 (7 ³ / ₄ "	80 (3 ¹ / ₄ "	150 (330)	6 (13)	5320.0030
PVZ-V	100 – 305 (4 – 12")	80 (3 ¹ / ₄ "	150 (330)	8 (18)	5320.0031



Column Grab MPVZ-V

For use with a carrier and especially suitable for lifting concrete and wooden columns from a horizontal to a vertical position for installation. Clamping is independent of the length.

The MPVZ-V is for the use of rectangular columns and round palisades. Adjustable gripping width.

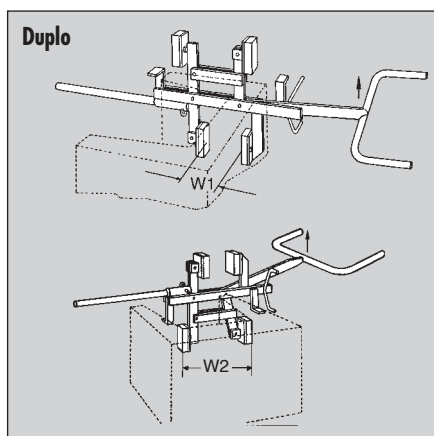
Standard Specifications:

▶ Lifting eye for attaching to carrier.

▶ Swivelling grippers

▶ Highly durable, exchangeable rubber pads.

Type	Gripping Range* W mm (in)	Gripper Length L mm (in)	Carrying Capacity kg (lbs)	Dead Weight kg (lbs)	Order-Number
MPVZ-V	120 – 200 (4 ³ / ₄ – 7 ³ / ₄ "	–	300 (660)	30 (66)	5310.0233



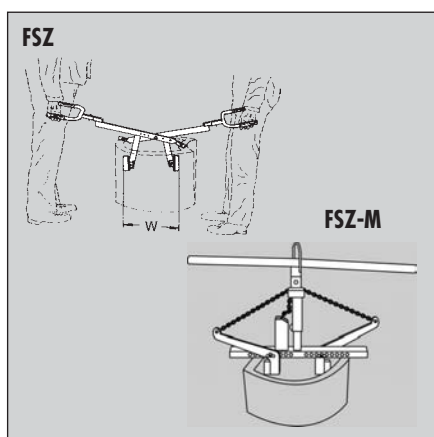
U-Stone Handle >Duplo<

Specially suitable for the carrying and laying of U-stones. Depending on the gripper space

available, the blocks can be gripped from the inside or the outside.

▶ Galvanised finish

Type	Gripping Range* W mm (in)	Carrying Capacity kg (lbs)	Dead Weight kg (lbs)	Order-Number
Duplo	W1 0 – 150 (0 – 6") W2 240 – 390 (9 ¹ / ₂ – 15 ¹ / ₄ "	100 (220)	9 (20)	5320.0040



Hollow Slope Block Handles FSZ

Especially suitable for the handling of hollow slope blocks and similar elements which can be lifted by hand.

▶ Grips from the inside

▶ Removable double handles

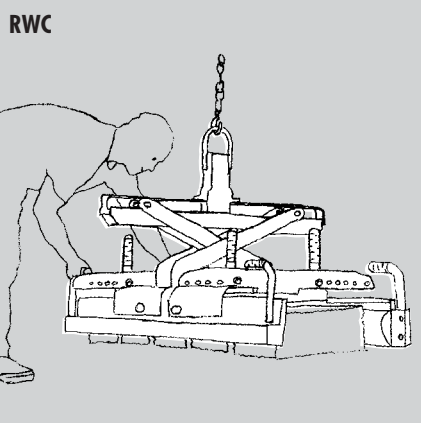
▶ Galvanised finish FSZ/FSZ-M

▶ Large adjustable gripping range to match all current hollow slope blocks.

FSZ-M for Lifting Devices

with lifting eye, handle, automatic release for fully automatic switch-over from "full" to "empty".

Type	Gripping Range* W mm (in)	Carrying Capacity kg (lbs)	Dead Weight kg (lbs)	Order-Number
FSZ	180 – 580 (7 – 22 ³ / ₄ "	150 (330)	8 (17)	5320.0001
FSZ-M	180 – 580 (7 – 22 ³ / ₄ "	250 (550)	16 (35)	5320.0002



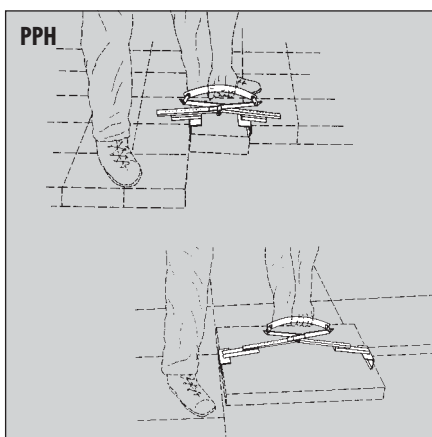
Laying Clamp for retaining wall units RWC

Several retaining walls can be picked up and laid at the same time by this universal clamp. Depending on the size of the blocks, 4-8 blocks can be picked up at the same time (length of gripper 2,150 mm). Even split blocks which vary in width up to 25 mm can be securely gripped due to the use of a very special gripper which adapts perfectly to surface.

Standard Specifications:

- ▶ Lifting eye for attaching to crane hook.
- ▶ Handles to guide the clamp.
- ▶ Automatic release for the fully automatic switch-over from "full" to "empty".
- ▶ Special gripper to adapt to variable sizes of blocks.

Type	Gripping Range* W mm (in)	Inside Height E mm (in)	Gripper-Length L mm (in)	Carrying Capacity kg (lbs)	Dead Weight kg (lbs)	Order-Number
RWC 25/61-11-215	250 – 610 (9 ³ / ₄ – 24")	110 (4 ¹ / ₄ ")	2,150 (85")	300 (660)	210 (460)	5310.0274



Profi-Slab Handle PPH

For laying concrete and natural stone slabs.

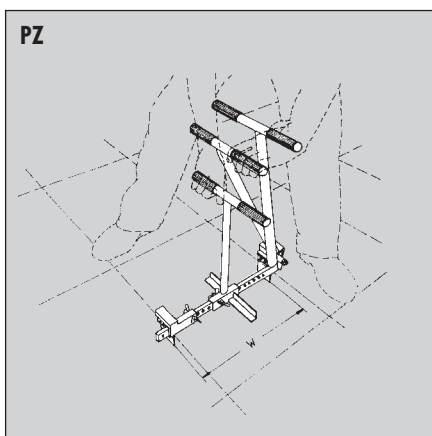
Large adjustable range for all slabs.

- ▶ With large leverage

- ▶ Very stable professional design.
- ▶ Galvanized finish
- ▶ Exchangeable grippers

Type	Gripping Range* W mm (in)	Carrying Capacity kg (lbs)	Dead Weight kg (lbs)	Order-Number
PPH 7/37	70 – 370 (2 ³ / ₄ – 14 ¹ / ₂ ")	60 (130)	1.5 (3.2)	S-5320.0053
PPH 19/50	190 – 505 (7 ¹ / ₂ – 20")	60 (130)	1.5 (3.2)	S-5320.0052
PPH 30/62	300 – 620 (10 – 24")	60 (130)	1.5 (3.2)	S-5320.0054
PPH-S 7/62	70 – 620 (2 ³ / ₄ – 24")	60 (130)	1.5 (3.2)	S-5320.0055

PPH-S comes as a set with a basic unit and 3 sets of grippers.



Slab Extractor PZ

For extracting single slabs, it has a robust construction so that the blades can be hammered into the joints.

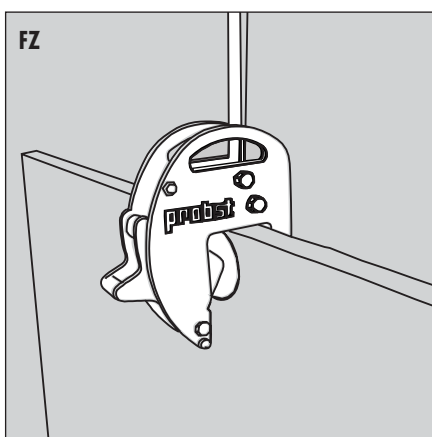
Adjustable without tools from 200 – 610 mm. Complete with easily exchangeable high-quality-special double spring-steel blades.

- ▶ Galvanised finish

Type	Gripping Range* W mm (in)	Carrying Capacity kg (lbs)	Dead Weight kg (lbs)	Order-Number
PZ	200 – 610 (7 ³ / ₄ – 24")	70 (155)	6 (13)	5320.0006

See page 1.17 for the paving block extractor SZ

* Possible distance between the grippers. The product measurements must be within approx. ± 30 mm of the stated range.



Flat Grab FZ

FZ for transport of slabs.

- ▶ Narrow grippers turn standing slabs or erect laying slabs.
- ▶ No problem to grip even tight standing slabs.
- ▶ No damage to the surface of the slabs due to gentle handling with rubber grippers.

- ▶ High security by enormous transmission of 5:1.
- ▶ A spring tension prevents from unintentional slipping off the clamp.
- ▶ Lifting band instead of chain or rope: low dead weight, no squeezing, no hurts.
- ▶ Suitable for nearly all kinds of material.

Type	Gripping Range* W mm (in)	Carrying Capacity kg (lbs)	Dead Weight kg (lbs)	Order-Number
FZ	0 – 60 (0 – 2 ¹ / ₂ ")	800 (1,760)	6 (13)	5310.0278

* Possible measurement between the grippers. The product measurements must be within approx. ± 30 mm within the given range.