

## General Product Information

### Block Loading Grabs for Trucks

We have developed various types of Block Loading Grabs specially equipped for your needs and loads:

- I. with fixed height
- II. with adjustable height

For all types we use only the best quality and most reliable components.

▶ Light weight construction in high tensile steel.

▶ Large, low-maintenance polyamide sliding guides.

The parallel-moveable legs of the clamp are mounted on large dimensioned polyamide sliding surfaces. This saves you from having to adjust the bearings and means you only have minimal wear and tear!

### 5 Year Guarantee on Sliding Guides!

Probst products have been renowned worldwide for decades for their class workmanship and quality. For example we use a highly durable natural rubber with bearing height of 1000 mm for the rubber lining on the grippers. This high quality material ensures less wear and tear which results in **fewer operation costs!**

The rubbers are fixed onto the grippers by means of a robust screw connection. Changing the linings – when they need renewing – is very quick – about 10 minutes.

As the clamp legs are so well constructed and extremely stable, our AKZs only need a small grab between the packs of materials they have to lift. This can be very advantageous when the packs are stacked very close to each other.

All types come with these standard specifications:

- ▶ Operated hydraulically, smoothly and in parallel.
- ▶ Manually adjustable pressure reducing valve.
- ▶ Oil pressure gauge.
- ▶ 4 Hooks for attaching cables or straps.
- ▶ Robust gear rack balance for the absolute synchronous running of the hydraulic cylinders.

For those models with an adjustable height we also include as standard:

- ▶ Height adjustment with two settings.
- 1. Extending the legs to the required height (floating position).

The desired height is set by means of the star handles. Once the grab has been raised, the legs extend to the required measurements, once the grab is put back down, the legs revert to their lowest position.

Advantage:

Once the goods have been unloaded, the grab height does not need to be adjusted manually to return to the optimal low resting height.

Time savings:

The driver does not need to leave the cab to set down the grab.

2. Locking the grab onto position (Locking Mechanism).

The desired height is set by means of the practical star handles. Once the grab has been raised, the height adjustment locks into position automatically when it has reached the required height.

Advantage:

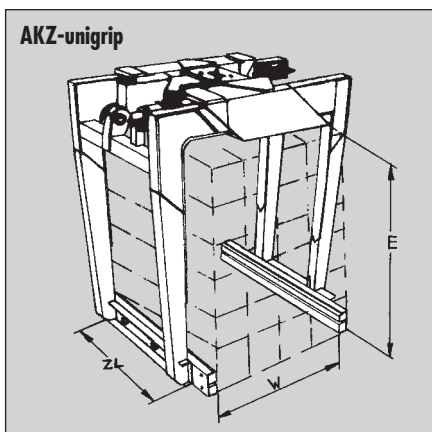
The grab can be squeezed in between tightly-packed blocks of goods.

ATTACHMENTS FOR TRUCK CRANES

All of our crane devices can be fitted with our Quick Change Device. (See Accessories on page 6.5).  
In certain cases the opening width can be fixed to the needs of the customer.

Technical data contained in this catalogue can be modified without prior notice in the interest of progress.

AKZ-unigrip



### Block Loading Grabs – with a Fixed Height E

#### AKZ unigrip

Specially designed for use with truck loading cranes. For the transportation of palletised and unpalletised packs of blocks.

- ▶ Light weight construction in high tensile steel.
- ▶ Fully hydraulically adjustable opening range.

All our truck loading grabs can be fitted with our Quick Change Device (see page 6.5 Accessories).

In special cases the opening width can be adjusted to suit the customers requirements.

#### Standard Specifications:

- ▶ Large, low-maintenance polyamide sliding guides.
- ▶ Manually adjustable pressure-reducing valve.
- ▶ Oil pressure gauge.
- ▶ Robust gear rack balance for the absolute synchronous running of the hydraulic cylinders.
- ▶ 4 Hooks for attaching slings or straps.

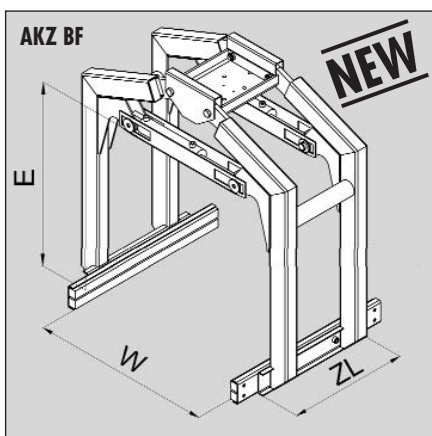
**The slide bearings carry a 5 year guarantee.**

- ▶ The generous opening range and the quick change grippers of various lengths and design make the AKZ adaptable to carry all the usual packs of building materials (see Accessories).

Type	Opening Width* W mm (in)	Height** E mm (in)	Clamp Length ZL mm (in)	Carrying Capacity*** kg (lbs)	Dead Weight kg (lbs)	Order-Number
<b>AKZ unigrip 850</b>	370 (14 1/2")	850 (33 3/4")	720 (28 1/4")	3,000 (6,600)	310 (680)	<b>5610.0050</b>
<b>AKZ unigrip 1.000</b>		1,000 (39")		2,500 (5,500)	320 (710)	<b>5610.0051</b>
<b>AKZ unigrip 1.100</b>	up to	1,100 (43")	or	2,500 (5,500)	325 (715)	<b>5610.0052</b>
<b>AKZ unigrip 1.230</b>	1,370 (54")	1,230 (48")	1,000 (39")	2,000 (4,400)	345 (760)	<b>5610.0053</b>
<b>AKZ unigrip 1.300</b>		1,300 (51")		1,800 (4,000)	350 (770)	<b>5610.0054</b>

ATTACHMENTS FOR TRUCK CRANES

AKZ BF



### Block loading grab with a fixed height E

#### AKZ BF

Low budget alternative to the standard, parallel squeeze block loading grabs.

Wide field of application for loading and unloading of most common block packs.

- ▶ Extremely low overall height
- ▶ Strong protection all around the hydraulic cylinders to avoid damage.

- ▶ Integrated, robust synchronizing of both clamping arms.

- ▶ Slim design of the gripping arms to achieve low clearance between the packs.

- ▶ Hand-adjustable pressure relieve valve, security valve against loss of pressure and manometer.

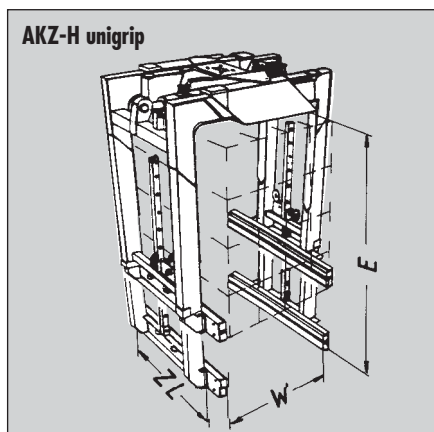
Type	Opening Width* W mm (in)	Height** E mm (in)	Clamp Length ZL mm (in)	Carrying Capacity*** kg (lbs)	Dead Weight kg (lbs)	Order-Number
<b>AKZ BF 1000</b>	100 (4")–1,250 (49")	1,000 (39")	720 (28 1/4")	2,500 (5,500)	270 (600)	<b>5610.0058</b>
<b>AKZ BF 1100</b>	80 (3 1/4")–1,280 (50")	1,100 (43")	720 (28 1/4")	2,400 (5,300)	280 (620)	<b>5610.0070</b>
<b>AKZ BF 1200</b>	50 (2")–1,300 (51")	1,200 (47")	720 (28 1/4")	2,300 (5,100)	290 (640)	<b>5610.0071</b>

\* Different opening range possible - Price available on request.

\*\* The height E can be varied at no extra cost. The price paid will then be for the next model up.

\*\*\* The carrying capacity is dependent on: the surface quality of the goods to be lifted, the size of the individual stones, the pack size and the way the goods are packed. For unstrapped packs of low, loose stones, e. g. paving stones, the carrying capacity does not apply!

See page 6.3 – 6.5 for Accessories.



**AKZ-H unigrip – the recommended universal model for the building trade and haulage contractors.**

### Block Loading Grabs – with Adjustable Height AKZ-H unigrip / AKZ-N unigrip / AKZ-S unigrip

This has the same design and characteristics like the AKZ-unigrip but comes with adjustable height for differing pack heights.

This universal type of grab is suitable for the transport of building materials of all types and sizes.

By the adjustable height and the large opening width it can be used for all building materials on pallets and without pallets.

- ▶ A choice of various heights.
- ▶ The vertical height adjustment bar is equipped with 4 drillings which are situated on different height levels, each shifted by 90°.

The different levels are for the following heights:

- level 1 (turning 0°) → 1,100 mm (43")
- level 2 (turning 90°) → 1,280 mm (50")
- level 3 (turning 180°) → 1,470 mm (58")
- level 4 (turning 270°) → 1,650 mm (65")

- ▶ Height Adjustment with a choice of fixed or floating position.

▶ Now even more simple handling of the height adjustment - just move one lever.

▶ Higher pressure – finely adjustable, for example to grip material which is sensitive against pressure.

▶ Low overall height of equipment.

#### Standard Specifications:

▶ Hydraulically and smoothly operable and works in parallel.

▶ Robust gear rack balance for the absolute synchronous running of the hydraulic cylinders.

▶ Large low-maintenance polyamide sliding guides with 5-year guarantee.

▶ Automatic pressure control.\*\*\*

\*\*\*Carrying capacity of height-adjustable versions in retracted position will be increased as per positive working automatic pressure control up to the respective figure indicated in brackets.

▶ Manually adjustable pressure-reducing valve.

▶ Oil pressure gauge.

▶ 4 hanging eyes for cables or straps/belts.

▶ Light-weight construction in high-tensile steel.

Type	Opening Width* W mm (in)	Height E mm (in)	Grab Length ZL mm (in)	Carrying Capacity** kg (lbs)	Dead Weight kg (lbs)	Order-Number Prices without Quick Chance Grippers
<b>AKZ-H unigrip</b>	370 (14 1/2") up to 1,370 (54")	1,100 (43") up to 1,650 (65")	720 (28 1/4") or 1,000 (39")	1,800/1,300 (4,000/2,850)	360 (790)	<b>5610.0057</b>
<b>AKZ-N unigrip</b>	370 (14 1/2") up to 1,370 (54")	900 (35 1/2") up to 1,400 (55")	720 (28 1/4") or 1,000 (39")	2,200/1.600 (4,850/3,550)	320 (710)	<b>5610.0062</b>
<b>AKZ-S unigrip</b>	370 (14 1/2") up to 1,370 (54")	1,100 (43") up to 1,650 (65")	720 (28 1/4") or 1,000 (39")	2,300/1.900 (5,100/4,200)	380 (840)	<b>5610.0061</b>

For heavy-duty use, eg. in conjunction with fork-lift trucks, we recommend our STAZ range on page 7.1 – 7.4.

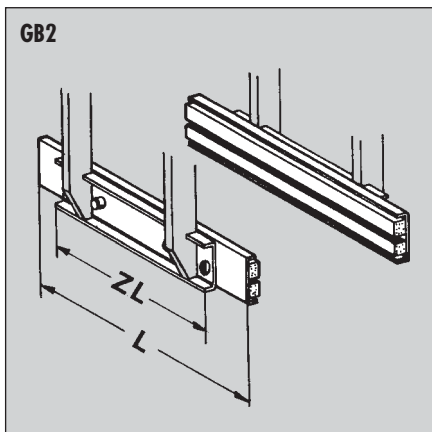
See page 6.3 – 6.5 for Accessories.

\* Different opening range possible. Price available on request.

\*\* The carrying capacity is dependent on: the surface quality of the goods to be lifted, the size of the individual stones, the pack size and the way, the goods are packed. For unstrapped packs of low, loose stones, e.g. paving stones, the carrying capacity does not apply!

\*\*\* The positive working pressure control, which is integrated serially, effects an increase of the carrying capacity when positioning the lowest possible insert height E (retracted position). For the lowest possible insert height E the figure indicated in brackets is true for.

GB2



### Accessories for the AKZ Rubber Grippers GB2

Light weight construction to fit all models. Choice of shape, lining and length, thus making the block loading grabs suitable to be used everywhere.

Highly durable exchangeable rubber metal bars are used as gripping elements. Standard models have 2 rows of rubber metal bars.

Type	Length L mm (in)	Weight per Pair kg (lbs)	Order-Number
GB2 720 N	720 (28 3/4")	22 (50)	4000.0003
GB2 1000 N	1,000 (39")	30 (65)	4000.0020
GB2 1100 N	1,100 (43")	34 (75)	4000.0040
GB2 1200 N	1,200 (47")	44 (95)	4000.0051
GB2 1250 N	1,250 (49")	48 (105)	4000.0055
GB2 720 Z	720 (28 3/4")	22 (50)	4000.0644
GB2 1000 Z	1,000 (39")	30 (65)	4000.0023
GB2 1250 Z	1,250 (49")	48 (105)	4000.0057

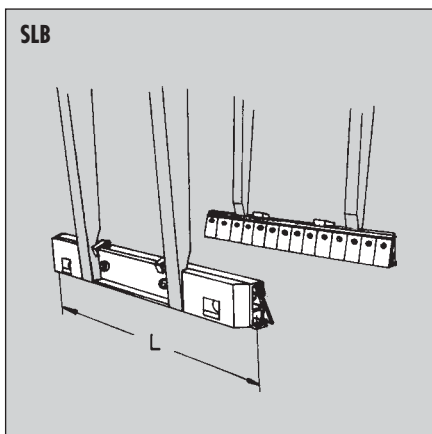
Ask for information regarding rubber grippers for the transportation of loose paver packs.

For lime stone blocks, there is a colourless rubber available (leaves no marks on visible brickwork).

Type	Order-Number
Extra price per metre Rubber Grippers, colourless	4000.0200

Equivalent version for Paver transport or further applications see type list page 6.10.

SLB

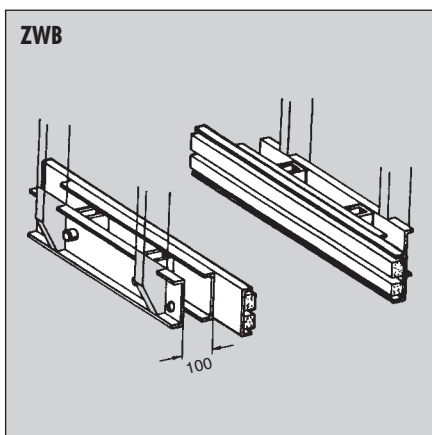


### Steel Finger Grippers SLB

Extra deep gripping, for transporting unstrapped interlocking pavers, light weight design.

Type	Length L mm (in)	Weight per Pair kg (lbs)	Order-Number
SLB 1025 L	1,025 (40")	58 (130)	4000.0110
SLB 1225 L	1,225 (48")	68 (150)	4000.0111

ZWB

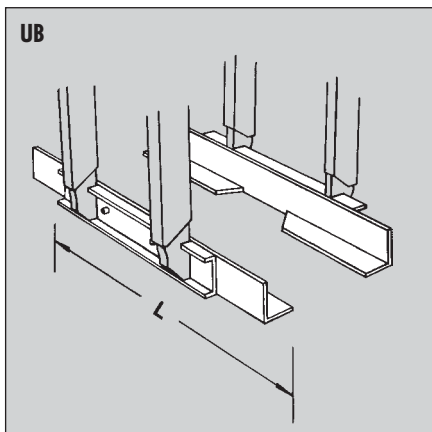


### Intermediate Grippers ZWB

For reducing the gripping range by 200 mm. However, the need for a larger working space must be taken into account.

► Other sizes available on request.

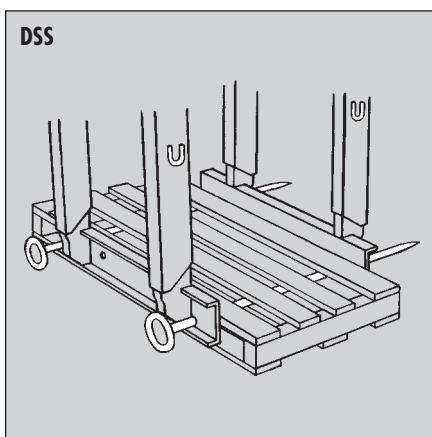
Type	Length L mm (in)	Weight per Pair kg (lbs)	Order-Number
ZWB 720	720 (28 3/4")	25 (55)	4000.0120
ZWB 1000	1,000 (39")	33 (75)	4000.0121



### Accessories for the AKZ Pallet Grippers UB

For lifting pallets by gripping underneath the pallets.

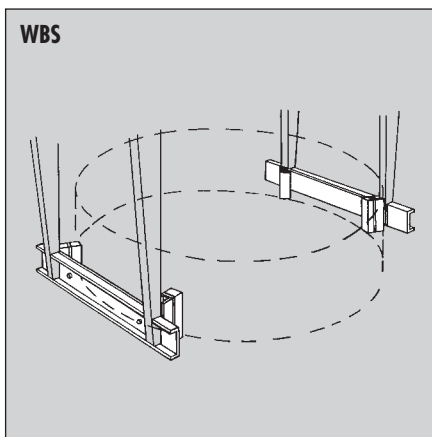
Type	Length L mm (in)	Weight per Pair kg (lbs)	Order-Number
UB 720	720 (28 1/4")	16 (35)	4000.0122
UB 1000	1,000 (39")	21 (45)	4000.0123



### Pallet Pins DSS

For lifting pallets.

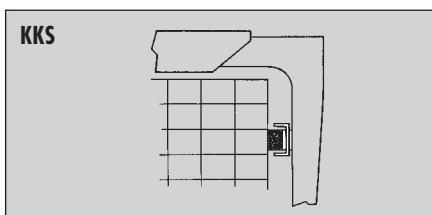
Type	Length L mm (in)	Weight per Pair kg (lbs)	Order-Number
DSS	1,400 (55")	10 (22)	5620.0001



### Special Grippers for Manhole Rings WBS

Suitable for gripping manhole rings.

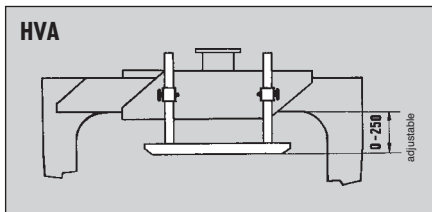
Type	Suitable for outer diameters ID mm (in)	Weight per Pair kg (lbs)	Order-Number
WBS	∅ 700 – ∅ 1,300 (27 1/2 – 51")	20 (45)	4000.0130



### Top Rubber Guide Rails KKS

To prevent the outer blocks from tipping out when transporting wide or tall packs.

Type	Order-Number
KKS	4620.0070



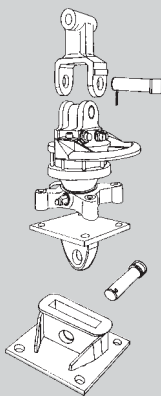
### Adjustable Height Stop HVA

Enables the grab to be lowered onto the stack of building materials whatever the height of the pack.

Type	Order-Number
HVA	4010.0001

Technical data contained in this catalogue can be modified without prior notice in the interest of progress.

Indexator  
with SWV



### Accessories for AKZ Quick Change Device

The Quick-Change-Device (SWV) simplifies the suspension of all types of grabs, including those already available, from one crane or from various cranes in a fleet.

An enormous amount of setting up time can be saved by using this device if the grab has to be taken down after each load.

By using the SWV the driver can change over the attachment without additional help.

When using the SWV quick coupling or screw coupling should be mounted on the rotator for the hydraulic hoses.

Type	Dead Weight kg (lbs)	Order-Number
SWV below the rotator (The rotator remains on the cranes in normal circumstances)	10 (20)	4620.0001
SWV above the rotator (rotator remains in clamp)	10 (20)	4620.0002

**Always state the type of rotator and crane when ordering!**

Suspension Link	Dead Weight kg (lbs)	Order-Number
Below the rotator	4 (9)	4620.0072
Above the rotator for adapting various types of rotators to the grab and to the crane	4 (9)	4620.0073

**Always state the type of rotator and crane when ordering.**

Rotator Tilting Device to limit the overall height of the vehicle	Dead Weight kg (lbs)	Order-Number
Rotator Tilting Device (rotator for shaft)	5 (10)	4620.0071
Rotator Tilting Device (rotator for flange-connection)	8 (20)	4620.0082

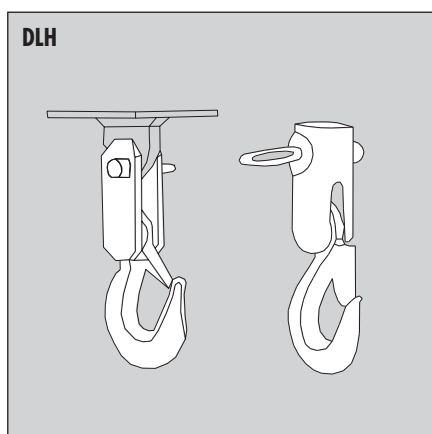
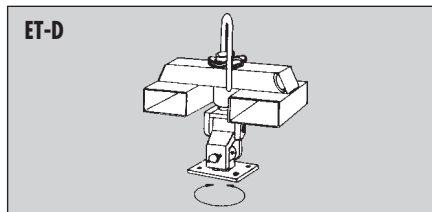
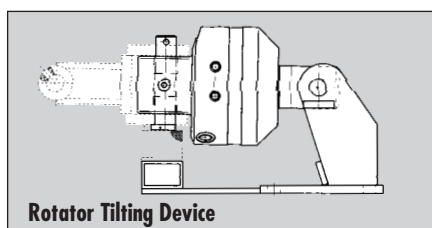
Rotator with hydraulic rotation plus 2 connection hoses to the clamp	Dead Weight kg (lbs)	Order-Number
Continuous Rotator - Indexator, 4.5 tons capacity	34 (75)	4620.0056
Continuous Rotator - Archimedes, 4 tons capacity	26 (55)	4620.0080
Rotator also available with pivot.		

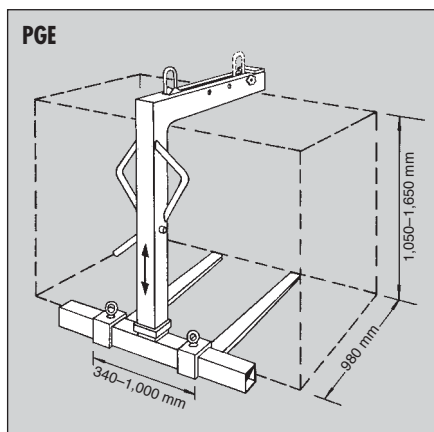
Fork Sleeves with lifting eye and manual device engaging in a hodge after 90°. Enables the AKZ to be lifted by the forks of a wheel loader or forklift	Dead Weight kg (lbs)	Order-Number
ET-D consisting of ET-D, incl. universal joint, mounting plate.	23 (50)	4310.0238

Not turnable lifting hook DLH	Order-Number
for mounting under DK with pin	4011.0077
for mounting under SWV top	4011.0073

Hydraulic Accessories	Order-Number
Manually operated pressure relief valve	Standard
Oil pressure gauge	Standard
Hydraulic Quick-Coupling Complete	2202.0001
Hydraulic Quick-Coupling Female	2202.0002
Hydraulic Quick-Coupling Male	2202.0003
Hydraulic Screw-Coupling Complete	2202.0004
Hydraulic Screw-Coupling Female	2202.0005
Hydraulic Screw-Coupling Male	2202.0006
Hydraulic Hose per meter	2200.0025
End Fitting, 1 set per hose	2210.0001

Hose Guide	Order-Number
These are needed in pairs on the jib end to prevent the hoses hanging in the way of the clamp. (Please state length of extension).	2219.0001





### Pallet Forks

For use with truck-loading cranes, fork-lift trucks or gantry crane to transport palletised packs of building material.

▶ Light weight construction made of high-tensile steel.

▶ Low dead weight

Advantage: the truck-loading crane does not lose much of its carrying capacity.

### PGE

**Basic model without automatic center-of-gravity balance.**

▶ Adjustable fork width from 340 – 1,000 mm (external).

▶ Forks have a long taper for optional engagement.

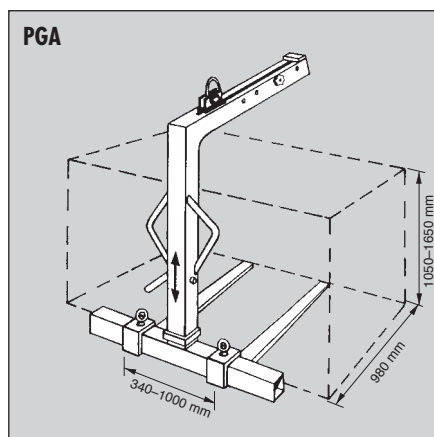
▶ Length of forks 980 mm

#### Standard Specifications:

- ▶ Lifting eye to attach to crane hook.
- ▶ Height adjustable from 1,050 – 1,650 mm.

Type	Fork Dimension mm (in)	Carrying Capacity kg (lbs) at 500 mm (20" in)	Dead Weight kg (lbs)	Order-Number
<b>PGE 15</b>	100 x 40 (4 x 1 1/2")	1,500 (3,300)	90 (200)	<b>5600.0002</b>
<b>PGE 20</b>	120 x 40 (4 3/4 x 1 1/2")	2,000 (4,400)	115 (255)	<b>5600.0003</b>
<b>PGE 25</b>	100 x 45 (4 x 1 3/4")	2,500 (5,500)	150 (330)	<b>5600.0004</b>
<b>PGE 30</b>	125 x 45 (5 x 1 3/4")	3,000 (6,600)	180 (395)	<b>5600.0005</b>

Larger fork lengths on request.



### PGA

**Comes with automatic center-of-gravity balance by spring loaded slide on maintenance-free steel polyamide slide bearing.**

▶ Adjustable fork width from 340 – 1,000 mm.

▶ Forks have a long taper for optimal engagement.

▶ Length of forks 980 mm

#### Standard Specifications:

- ▶ Lifting eye for attaching to crane hook.
- ▶ Adjustable height from 1,050 – 1,650 mm.

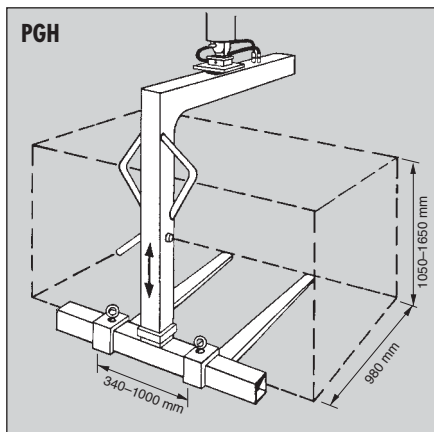
Type	Fork Dimension mm (in)	Carrying Capacity kg (lbs) at 500 mm (20" in)	Dead Weight kg (lbs)	Order-Number
<b>PGA 15</b>	100 x 40 (4 x 1 1/2")	1,500 (3,300)	95 (210)	<b>5600.0006</b>
<b>PGA 20</b>	120 x 40 (4 3/4 x 1 1/2")	2,000 (4,400)	120 (265)	<b>5600.0007</b>
<b>PGA 25</b>	100 x 45 (4 x 1 3/4")	2,500 (5,500)	160 (355)	<b>5600.0008</b>
<b>PGA 30</b>	125 x 45 (5 x 1 3/4")	3,000 (6,600)	180 (395)	<b>5600.0009</b>

Larger fork lengths on request.

Minimum load weight is approx. 25% of the load. The stated minimum load is necessary for the automatic centre-of-gravity balance to function.

Optional with standard flange plate mounted on the PGA for the direct assembly of the rotator or the Quick Change Device SWV.

PGH



### Pallet Fork

#### PGH

Comes with hydraulically operated centre-of-gravity-balance, enabling the forks to tilt forward and backwards in the full and empty position.

Also with rotator making it a purely one-man machine on even ground.

#### Standard Specifications:

▶ Standard flange plate to mount the rotator or quick-change-device.

▶ Adjustable height from 1,050 – 1,650 mm (41 – 65”).

▶ Adjustable fork width from 340 – 1,000 mm (13 1/2 – 39”) (external).

▶ Forks have long taper for optimal engagement.

▶ Length of forks 980 mm (38 1/2”).

Type	Fork Dimension mm (in)	Carrying Capacity kg (lbs) at 500 mm (20")	Dead Weight kg (lbs)	Order-Number
<b>PGH 15</b>	100 x 40 (4 x 1 1/2")	1,500 (3,300)	120 (265)	<b>5600.0010</b>
<b>PGH 20</b>	120 x 40 (4 3/4 x 1 1/2")	2,000 (4,400)	125 (275)	<b>5600.0011</b>
<b>PGH 25</b>	100 x 45 (4 x 1 3/4")	2,500 (5,500)	165 (365)	<b>5600.0023</b>
<b>PGH 30</b>	125 x 45 (4 3/4 x 1 3/4")	3,000 (6,600)	185 (410)	<b>5600.0024</b>

Surcharge for modified effective fork length available of request.

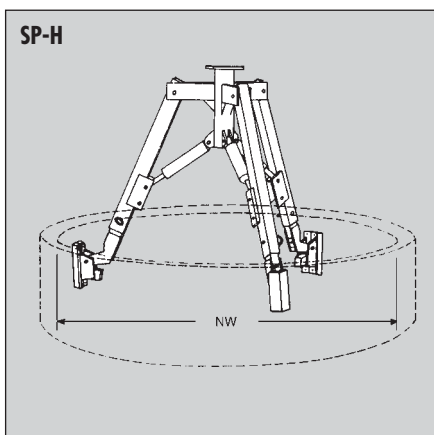
ATTACHMENTS FOR TRUCK CRANES

### Accessories for Pallet Forks

We recommend the Quick Change Device SWV (see page 6.5) for use with truck loading cranes with a hydraulic rotator.

See page 5.1, for pallet forks being used on tower cranes, with additional safety features.

SP-H



### Manhole Polyp SP-H

Grips from the inside for the transportation of manhole rings and cones. Hydraulically adjustable and suitable for internal diameters of 500 – 2,000 mm with mechanical adjustability up to nominal internal diameter of 2,500 mm. Allows up to 3 rings to be lifted at the same time.

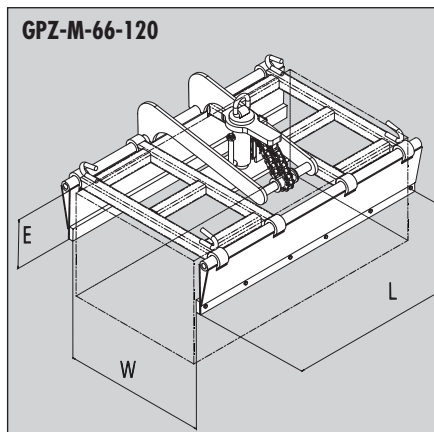
**Not suitable for green products.**

#### Standard Specifications:

▶ Manually adjustable pressure control valve.

▶ Exchangeable rubber grippers for the gentle handling of rings or cones.

Type	Gripping Range ID mm (in)	Carrying Capacity kg (lbs)	Dead Weight kg (lbs)	Order-Number
<b>SP-H</b>	500 – 2,500 (19 3/4 – 98")	2,000 (4,400)	165 (365)	<b>5720.0056</b>



### Plasterboard Grabs GPZ

Specially designed for gripping and handling gypsum wall elements.

The grab type GPZ-M-66-120 is a fully mechanical operated unit and can be attached to any truck mounted crane (without hydraulic connections). An appropriate leverage produces high clamping force for safe handling. (Hydraulic rotator see type list, page 6.5)

Low profile construction so that the grab, along with the plasterboard wall sections, can be passed through the window opening.

► An appropriate leverage produces high clamping force for safe handling.

Height measurement from top of pack until top edge of crane-eyelet only 415 mm (16 1/2") (in clamped position).

► Low gap requirement on one side (25 mm).

#### Standard Specifications:

- Lifting eye for crane hook.
- Automatic release for the fully automatic switch over from "full" to "empty".
- Highly durable, replaceable rubber metal bars for gripping.

Type	Suitable for pack width* W mm (in)	Height E mm (in)	Gripper Length L mm (in)	Carrying Capacity kg (lbs)	Dead Weight kg (lbs)	Order-Number
<b>GPZ-M-66-120</b>	670 (26 1/2")	220 (8 3/4")	1,200 (47")	600 (1,320)	115 (255)	<b>5630.0008</b>

Other opening ranges and heights on request.

The Gypsum Block Grab GPZ-H is hydraulically adjustable (with additional mechanical bolt adjustment).

The strong rack equalizer guarantees a constant working of the hydraulic cylinders.

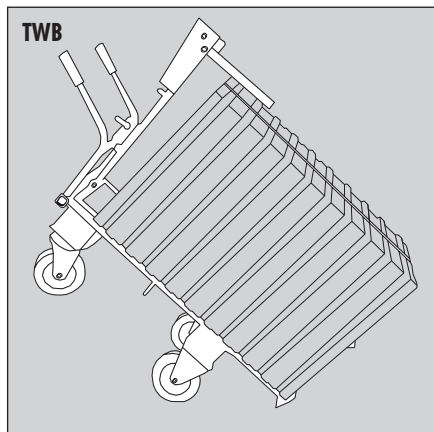
► The total height of hydraulic rotator incl. suspension is only ca. 450 mm.

Type	Opening Width* W mm (in)	Height E mm (in)	Gripper Length L mm (in)	Carrying Capacity kg (lbs)	Dead Weight kg (lbs)	Order-Number
<b>GPZ-H</b>	480 – 870 (19 – 34 1/4")	140 (5 1/2")	1,200 (47")	600 (1,320)	140 (310)	<b>5630.0007</b>

\* Possible measurement between the grippers. The product measurements must be within approx. ± 30 mm within the given range.

Grab can be equipped with security net on demand.

### Carriage Wagon for Gypsum Elements TWB



Specially designed to be loaded with packs of gypsum wall elements by the plasterboard grabs described above.

Carriage wagon then allows safe and quick transportation and unloading of the packs within the building.

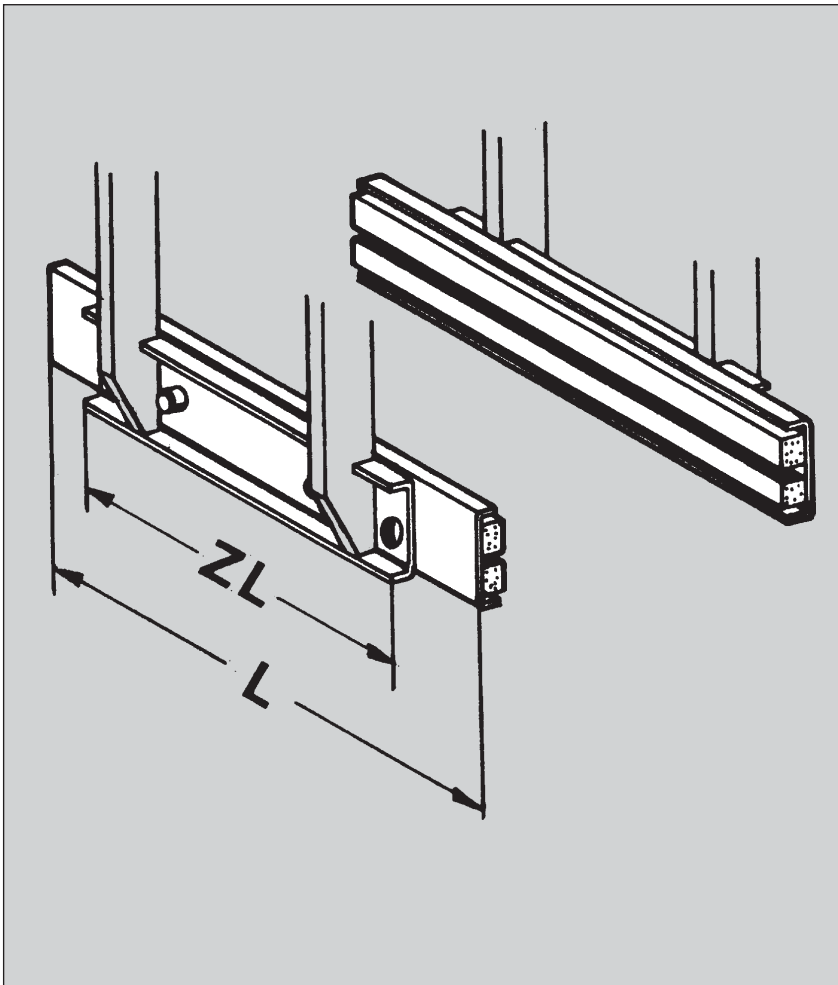
► The narrow design enables manoeuvring on tight sites.

► Optimized handling by favourable load distribution and low dead weight.

► Via retaining plate, the pack is safeguarded prior to the unloading process.

► The patented design as well as the positioning of the wheels allow a simple quick and gentle unloading of the pack by tipping over in forward direction.

Type	Platform Dimension L x B mm (in)	Carrying Capacity kg (lbs)	Dead Weight kg (lbs)	Order-Number
<b>TWB</b>	1,080 x 400 (43 – (15 3/4"))	600 (1,320)	40 (90)	<b>5630.0009</b>



**Increase of Economic Efficiency by Flexibility!**

To use even more universally the block loading grab AKZ, we offer high-grade exchangeable grippers for the very various transports of building material.

The rubber of the exchangeable grippers is of highly low-wear natural caoutchouc and has a thickness of 100 mm. This high-class material guarantees minimal wear and tear.

Very low operating costs! The rubber is fixed to the grippers by means of a tough bolted connection. Changing the coat quickly - in case of renewing - in ca. 10 minutes.

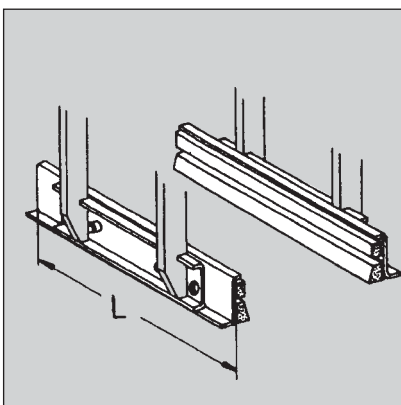
**For limestone also rubbers in light colour available!**  
**(No stripes at visible masonry.)**

**Rubber Grippers - Standard**

with two highly resistable rubbers each, length variable.

Order-No. 4000.0003 . . . 4000.0055 up to length

**GRIPPERS FOR AKZ**



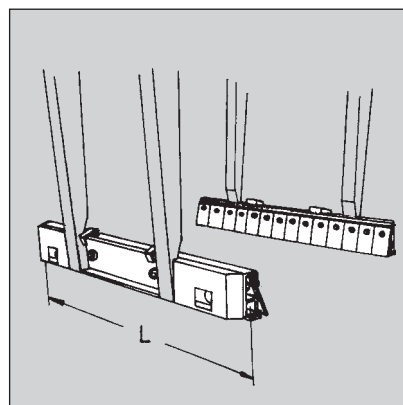
**Rubber Grippers Z-design**

specially for the

**Transport of Pavers**

For extra deep gripping the lower rubber is in harder quality. Different stacks of building material can be gripped.

Order No. 4000.0023 . . . 4000.0057 up to length



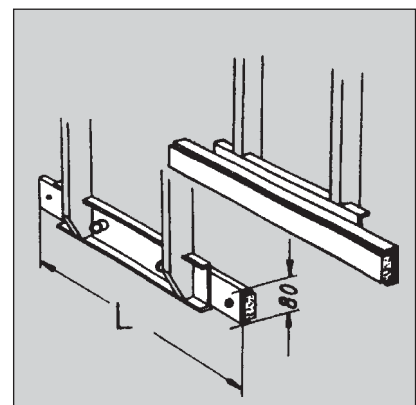
**Steel Finger Grippers**

for the

**Transport of Pavers**

with single spring-loaded steel fingers. Usage: with bigger gripping width or when the strapping is missing completely or partially.

Order No. 4000.0110 . . . 4000.0114 up to length



**Rubber Grippers**

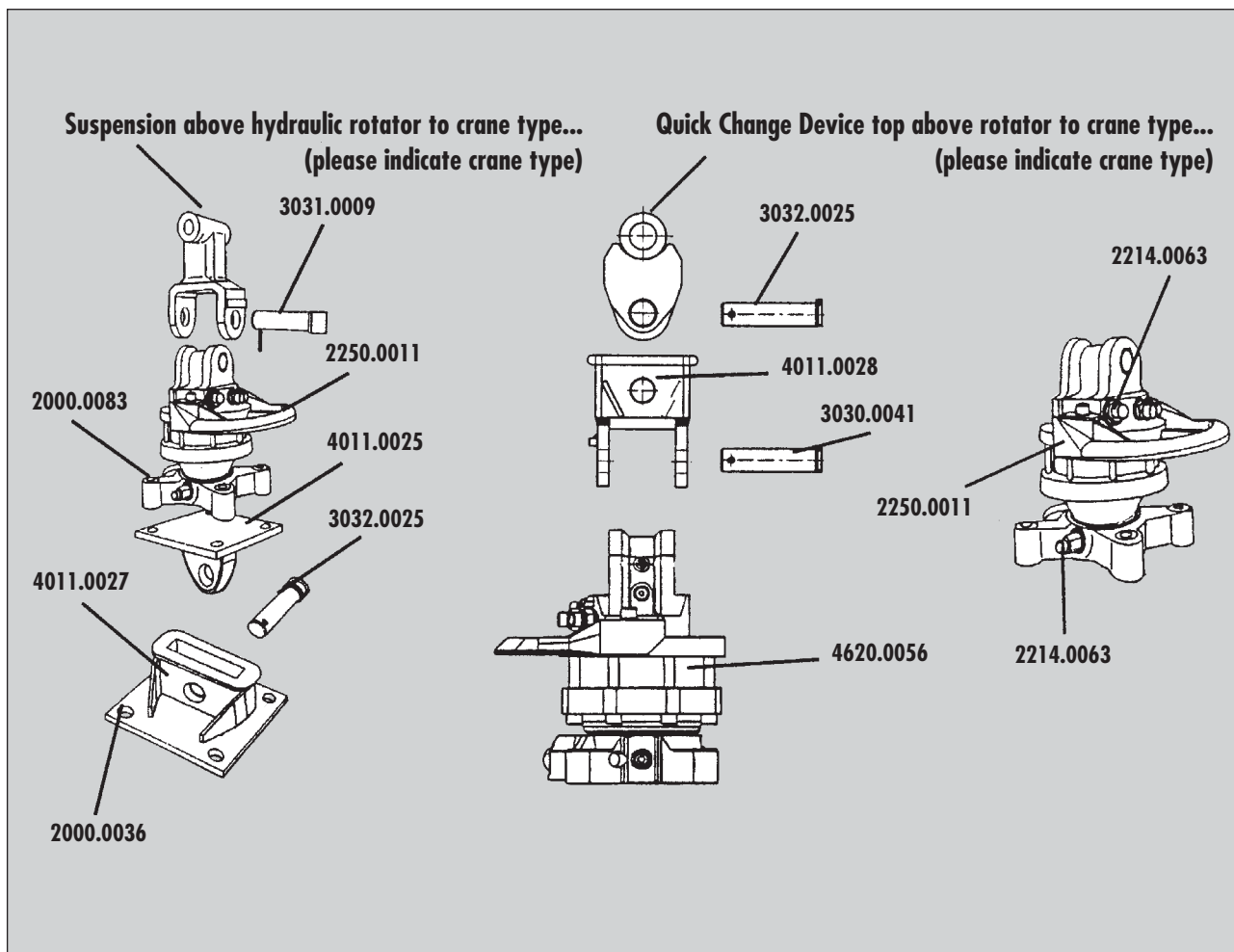
specially for the

**Transport of Tiles**

lower shape, so that the pallet can be gripped. Rubber 60 mm high including fixing 80 mm. Length: 800 and 1,000 mm.

Order No. 4000.0011 and 4000.0021

Technical data contained in this catalogue can be modified without prior notice in the interest of progress.



## SUSPENSIONS AND ROTATING HEAD GV 4 (INDEXATOR)

Quantity	Type	Order-No.
1	Suspension above rotator (crane type to be indicated)	4620.0073
1	Bolt with disk $\varnothing$ 30 mm, hole distance 116 mm, length 128 mm, width 8 mm	3031.0009
1	Rotator indexator incl. 2 connection hoses (crane type to be indicated)	4620.0056
4	Hexagonal bolts 8.8 Din 931 with shaft galvanised M 16 x 80	2000.0083
1	Quick Change Device top below rotator (plate with tongue) ZNr. K008-4	4011.0025
1	Bolt with halfring $\varnothing$ 30 mm, hole distance 51 mm, length 60 mm, width 8.5 mm for SWV	3032.0025
1	Quick Change Device bottom below rotator (plate with house) ZNr. K003-3	4011.0027
1	Quick Change Device below rotator completely with bolt	4620.0001
4	Hexagonal bolts 8.8 DIN 933 galvanised M 16 x 45	2000.0036
1	Quick Change Device bottom above rotator Thumm ZNr. K016-2	4011.0028
1	Quick Change Device top above rotator (crane type to be indicated)	4620.0020
1	Quick Change Device complete set above rotator (crane type to be indicated)	4620.0002
6	Straight thread joint 15-01 / L12 MB M 18 x 1.5 A3C	2214.0063