



VACUUM HOSE LIFTER JUMBO 200

Reduce costs by optimising flow of materials

▶ Extensive studies of working with natural stone show that there are still enormous savings to be made in the flow of materials. It has been established that the hoists currently in use are designed mainly for extremely heavy loads – yet approximately 90% of natural stone products which need to be handled or moved are under 200 kg in weight. It follows, therefore, that the used crane systems – such as chains or cables – are too cumbersome, too slow and also extremely uneconomic. To speed up the working process, cost-intensive, heavy manual work is an accepted practice in many firms.

▶ As a result of these studies, Probst has developed a Vacuum Hose Lifter with optimal configuration for the quick and effortless handling of slabs up to 200 kg in weight.



The Advantage: Turn-over time of under 10 seconds

▶ The Jumbo 200 is much more than a new vacuum lifting device. The new, ingenious system makes it possible to suck up and then weightlessly lift and lower the slabs – horizontally or vertically – no matter how wet or porous the slabs are.

“Productivity in action”



AN INVESTMENT WHICH PAYS FOR ITSELF

VACUUM HOSE LIFTER JUMBO 200

Constant flow of materials

► The Jumbo 200 is the optimal handling equipment for many firms working with natural stone. Thanks to the innovative vacuum technology, slabs up to 200 kg in weight can be transported easily and quickly to the cutting table, the edging machine or the automatic drilling machine. Even the stacking and storing of the slabs can be done efficiently in one operation with the Jumbo 200.



Easy Handling

► One employee places the suction plate onto the best part of the slab for the subsequent manoeuvre (this could even be off-centre). Using his fingers he controls the smoothly regulated lifting power by means of a valve lever. The suction, lifting and lowering is all done without the need for muscle power. The slab can be moved vertically or horizontally via the tilting grab. Using a swing crane the slab is guided to the required spot.



The Universal suction plate – one plate does it all

► Natural stone products have rough, smooth or porous surfaces. Probst has developed one. Universal Suction Plate to cope with any surface powerfully and securely. It is totally impervious to wetness (slipproof), can be tilted by 90° and can also be stopped in mid-position.

► Advantage: Even porous sand stone or Jura lime-stone slabs can be quickly lifted and transported without having to waste time changing over machines.

User Friendly

► Slabs can be lifted effortlessly, and without the need for muscle power, using the power of the vacuum, tipped using the tilting grab from the horizontal to the vertical and then lowered gently onto a transport pallet or vertically onto a storage rack.

► The Jumbo 200's ease of handling motivates the workers. Fewer days lost to sickness, less fluctuation and high productivity creates an additional important competitive edge.



No risk of damage!

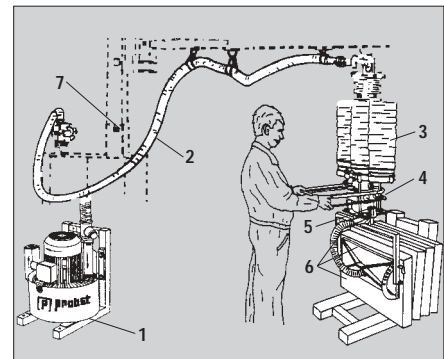
► If a natural stone slab of marble or granite for example is damaged in transit, this can be expensive. Using the Jumbo removes the danger of damage to the edge of the slabs, as the smooth suction plate sucks up the surface of the slab only. Neither the edge nor the side surfaces are subjected to pressure or effected mechanically. There is no lateral clamping or clamping from below.

Designed to the last detail

► The material components of the Jumbo 200 have been specially adapted for the rough conditions common to working with natural stone. Excessive dust, high humidity, dampness etc. cannot harm the robust equipment.

Quick Installation

► The Jumbo 200 will fit onto any wall or pillar swing crane or onto the free-standing crane system. The vacuum unit will go in any suitable spot (this can be up to 10 m away) and is connected by means of a supply hose to the hose lifter.



Equipped with innovative technology:

The components:

1. Vacuum Compressor with Mounting Bracket
2. Supply Hose Set
3. Lifting Unit, Carrying Capacity up to 200 kg (440 lbs)
4. Operating Unit
5. Quick-Change Adapter SWA 200
6. Tilting Suction Plate, Carrying Capacity 200 kg (440 lbs) External Dimensions 750 x 300 mm (29" x 12")
7. Crane Arm not included in the package – the customer to provide one of his own choice.



► Opt for more efficient and economic working practices. We will be pleased to advise you on all aspects.