

MANIBOX VS 250 kg - model with painted frame



Hand wormgear winch 250 kg, model with painted frame.

Use:

- Lifting or pulling/hauling operation
- Wall-mounted or flat
- Industry
- Shows, sceneries
- Water treatment, water dams
- Sports rooms
- Hanging chandeliers...

Comply with Machines Directive 2006/42/EC. Developed and manufactured in accordance with standard NF E N 13157.

Technical properties

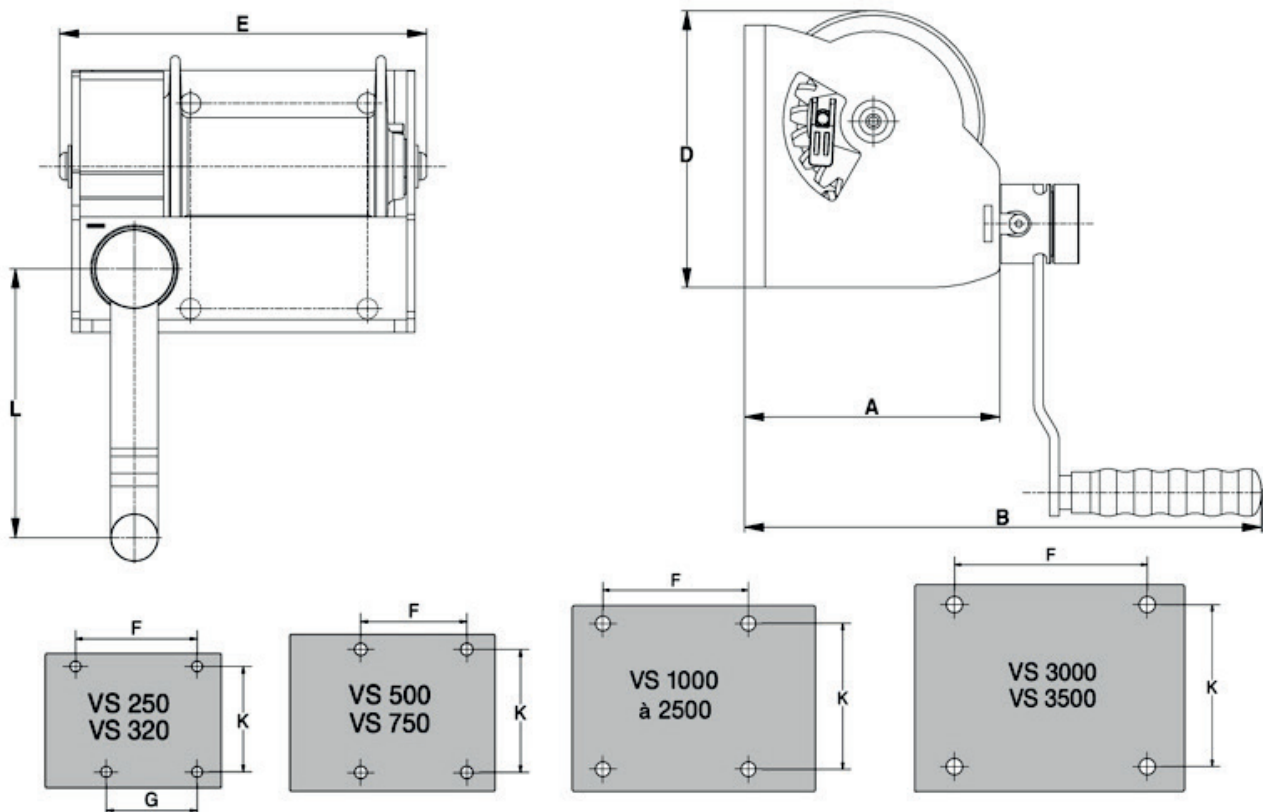
- Mechanical parts machined and protected by cataphoresis.
- Stainless steel ratchet spring.
- Absolute safety by worm screw and automatic brake.
- Reduction system fully protected by a metal or plastic cover providing maximum safety.
- Not desengageable drum.
- Failsafe system in the rope wind direction (patented).
- Adjustable crank handle for fast winding or otherwise maximum capacity.
- Crank positioned on the left.
- Captive crank adjusting knob.
- Finition: painted frame.

Technical characteristics of MANIBOX VS 250 kg - model with painted frame

Capacity 1st layer kg	380
Capacity top layer kg	250
Nb of layers	4
Wire rope cap. 1st layer m	2.5
Wire rope cap. top layer m	15
Wire rope Ø mm	5
Weight (without wire rope) kg	7.5
Lift per crank revolution mm	17
Max. hand force on crank kg	11

Dimensions

A mm	140
B mm	307
D mm	142
E mm	206
F mm	130
G mm	95
K mm	100
L mm	240



Technical characteristics of the other models of the range

References	VS500GALVA	VS250MANIBOX	VS320PREM	VS500MANIBOX	VS750PREM
Capacity 1st layer kg	750	380	380	750	750
Capacity top layer kg	500	250	320	500	750
Nb of layers	4	4	2	4	1
Wire rope cap. 1st layer m	3	2.5	2.5	3	3
Wire rope cap. top layer m	18	15	6	18	3
Wire rope Ø mm	7	5	6	7	7
Weight (without wire rope) kg	12	7.5	7.5	12	12
Lift per crank revolution mm	11	17	17	11	11
Max. hand force on crank kg	14	11	11	15	14

References	VS750MANIBOX	VS1450PREM	VS1500MANIBOX	VS2000PREM	VS2000MANIBOX
Capacity 1st layer kg	1450	1450	2000	2000	2500
Capacity top layer kg	1000	1450	1500	2000	2000
Nb of layers	4	1	3	1	2
Wire rope cap. 1st layer m	5.5	5	5.5	5.5	7
Wire rope cap. top layer m	30	5	23	6	17
Wire rope Ø mm	9	10	11.5	12	13
Weight (without wire rope) kg	37.5	37.5	52	52	80
Lift per crank revolution mm	8	8	6	6	5
Max. hand force on crank kg	14	14	14	14	14.5

References	VS2500PREM	VS3000MANIBOX	VS3500PREM	VS250GALVA	VS320PREMGALVA
Capacity 1st layer kg	2500	3500	3500	380	380
Capacity top layer kg	2500	3000	3500	250	320
Nb of layers	1	2	1	4	2
Wire rope cap. 1st layer m	7	7.5	7.5	2.5	2.5
Wire rope cap. top layer m	6	18.5	7.5	15	6
Wire rope Ø mm	13	16	16	5	6
Weight (without wire rope) kg	80	140	140	7.5	7.5
Lift per crank revolution mm	5	3	3	17	17
Max. hand force on crank kg	14.5	5	15	11	11

References	VS750PREMGALVA	VS1000GALVA	VS1450PREMGALVA	VS1500INOX	VS1500GALVA
Capacity 1st layer kg	750	1450	1450		2000
Capacity top layer kg	750	1000	1450		1500
Nb of layers	1	4	1		3
Wire rope cap. 1st layer m	3	5.5	5		5.5
Wire rope cap. top layer m	3	30	5		23
Wire rope Ø mm	7	9	10		11.5
Weight (without wire rope) kg	12	37.5	52		52
Lift per crank revolution mm	11	8	8		6
Max. hand force on crank kg	14	14	14		14

References	VS2000PREMGALVA	VS2000INOX	VS2000GALVA	VS2500PREMGALVA	VS3000GALVA
Capacity 1st layer kg	2000		2500	2500	3500
Capacity top layer kg	2000		2000	2500	3000
Nb of layers	1		2	1	2
Wire rope cap. 1st layer m	5.5		7	7	7.5
Wire rope cap. top layer m	6		17	6	18.5
Wire rope Ø mm	12		13	13	16
Weight (without wire rope) kg	52		80	80	140
Lift per crank revolution mm	6		5	5	3
Max. hand force on crank kg	14		14.5	14.5	15

References	VS3500PREMGALVA	VS250INOX	VS320PREMINOX	VS500INOX	VS750PREMINOX
Capacity 1st layer kg	3500	380	380	750	750
Capacity top layer kg	3500	250	320	500	750
Nb of layers	1	4	2	4	1
Wire rope cap. 1st layer m	7.5	2.5	2.5	3	3
Wire rope cap. top layer m	7.5	15	6	18	3
Wire rope Ø mm	16	5	6	7	7
Weight (without wire rope) kg	140	7.5	7.5	12	12
Lift per crank revolution mm	3	17	17	11	11
Max. hand force on crank kg	15	11	11	14	14

References	VS1000INOX	VS1450PREMINOX	VS2000PREMINOX	VS2500PREMINOX	VS3000INOX
Capacity 1st layer kg	1450	1450	2000	2500	3500
Capacity top layer kg	1000	1450	2000	2500	3000
Nb of layers	4	1	1	1	2
Wire rope cap. 1st layer m	5.5	5	5.5	7	7.5
Wire rope cap. top layer m	30	5	6	6	18.5
Wire rope Ø mm	9	10	12	13	16
Weight (without wire rope) kg	37.5	37.5	52	80	140
Lift per crank revolution mm	8	8	6	5	3
Max. hand force on crank kg	14	14	14	14.5	15

References	VS3500PREMINOX
Capacity 1st layer kg	3500
Capacity top layer kg	3500
Nb of layers	1
Wire rope cap. 1st layer m	7.5
Wire rope cap. top layer m	7.5
Wire rope Ø mm	16
Weight (without wire rope) kg	140
Lift per crank revolution mm	3
Max. hand force on crank kg	15



HUCHEZ's advice

Captive crank adjusting knob, adjustable crank handle for fast winding or otherwise, maximum capacity, highly reliable rope fastener not requiring any special tools, fail safe system in the rope wind direction.



HUCHEZ
9, Grande Rue
60420 FERRIERES – France
☎ **+33 (0) 3 44 51 11 33**
Site internet : www.huchez.com
E-mail : contact@huchez.fr



**SERVICE
CLIENTS**

Pour en savoir plus, n'hésitez pas à nous contacter !
To know more, please contact us!

