

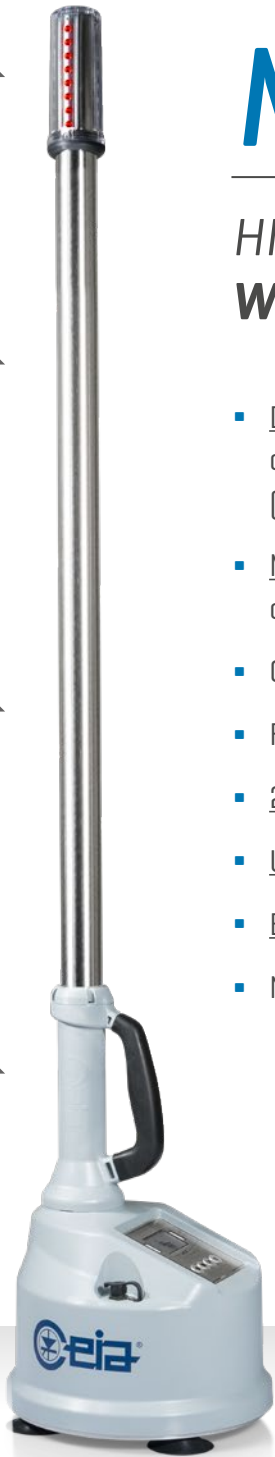


**TARGET PINPOINTING INDICATION**

**ONE-PIECE AND LIGHTWEIGHT DESIGN**  
[TOTAL WEIGHT ONLY 9,5 KG]

**FULL-HEIGHT, 360° DETECTION**  
[HORIZONTAL AND VERTICAL]

**READY FOR IMMEDIATE USE**



# MSD

## HIGHLY PORTABLE **CELL PHONE, WEAPON AND CONTRABAND DETECTOR**

- Detection of all cell phones and other contraband concealed on the person or in body cavities (including keyfob cell phones) with or without batteries
- Multi-Zone targeting indication identifies location of contraband on the body
- Covert operation through use of Bluetooth headset (included)
- Fully weather proof for outdoor use [IP65 certified]
- 26 hours continuous use on embedded battery operation
- Unmatched detection in all environments without adjustment
- Extremely durable design
- No assembly required: 10 second set-up



www.ceia.net



*Threat Detection through Electromagnetics*

CEIA reserves the right to make changes, at any moment and without notice, to the models, their accessories and options, to the prices and conditions of sale.

**The illegal use of cell phones is a growing and dangerous problem in correctional institutions worldwide. These devices are a significant threat to prison security and circumvent the monitoring processes in prisons, while helping inmates commit new crimes both inside and outside the facility.**

**CEIA MSD was specifically designed to detect all cell phones and other contraband concealed on the person or in body cavities (including key fob cell phones, smart phones, radio transceivers, etc.) quickly and easily.**

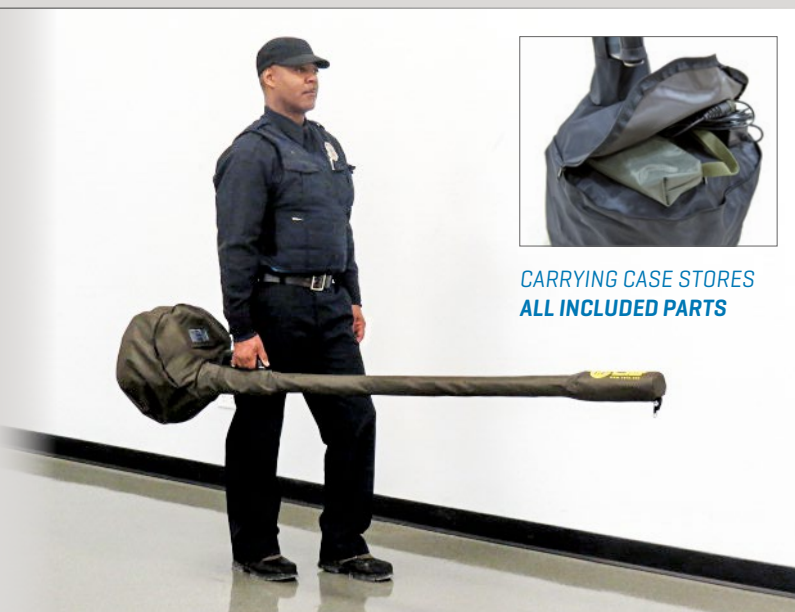
## BENEFITS

- Detection of magnets and ferromagnetic metals
- Full-height, 360° detection (horizontal & vertical)
- 5 individual zones for pinpointing locations of contraband on the body
- Covert operation through use of Bluetooth headset (included)
- Fully weather proof for outdoor use
- 24 hours typical / 26 hours max. of continuous battery operation with 4.5 hours charge
- One-piece and lightweight design (total weight only 9,5 kg with batteries included) easily transportable by one person
- Unmatched detection in all environments without adjustment
- Extremely durable design using stainless steel and high impact reinforced plastics
- Anti-tip suction cups for securing to smooth floor surfaces (included)
- Non-emitting device: safe for use for pace-makers and other medical implants
- Throughput: 60+ people per minute (based on uninterrupted flow, separately alarms resolution)



## CARRYING CASE FOR PERSONAL TRANSPORT AND STORAGE

- Heavy-duty lightweight carry system
- Custom fit to the MSD shape
- Dedicated pocket for accessories
- Space-saving
- Included parts:
  - MSD Magneto Static Detector unit
  - Installation kit: 4 rubber feet, 6 mm allen key, Test sample
  - External AC/DC battery charger adapter
  - Carrying case
  - Bluetooth headset



The CEIA MSD is a one-piece, portable and full-height ferromagnetic detector that combines high reliability and ergonomics with advanced detection and operator signalling features.

The one-piece design allows the CEIA MSD to be easily transported and operational in 10 seconds.



### BRIGHT MULTI-COLOR STATUS INDICATOR



#### GREEN LIGHT

Normal operation, no detection.

#### YELLOW LIGHT

Warning proportional indication: target detection under the alarm threshold.

#### RED LIGHT

Alarm proportional indication: target detection over the alarm threshold.

#### BLUE LIGHT

Connecting Bluetooth device in progress.

### COVERT ALARM SIGNALLING VIA BLUETOOTH HEADSET



Warning indication for signal under the alarm threshold, with fixed or proportional pitch

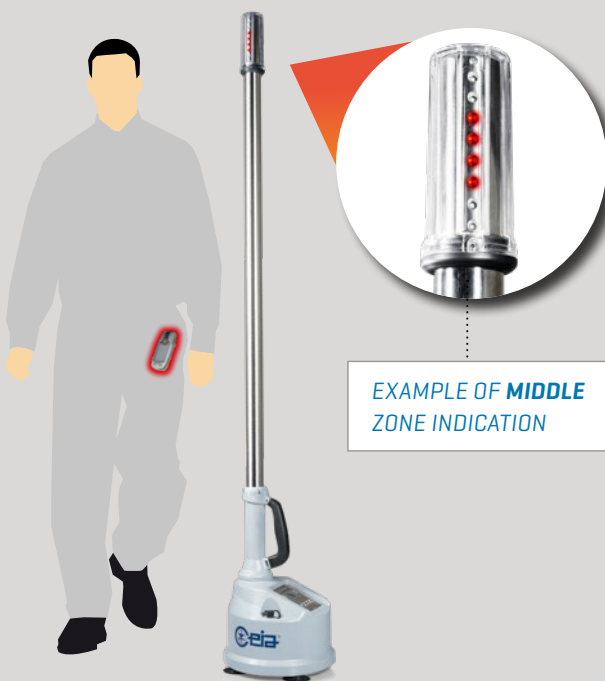
Alarm indication for signal over the alarm threshold, with fixed or proportional pitch

Warning and alarm indications adjustable in continuous/pulsed tone and volume

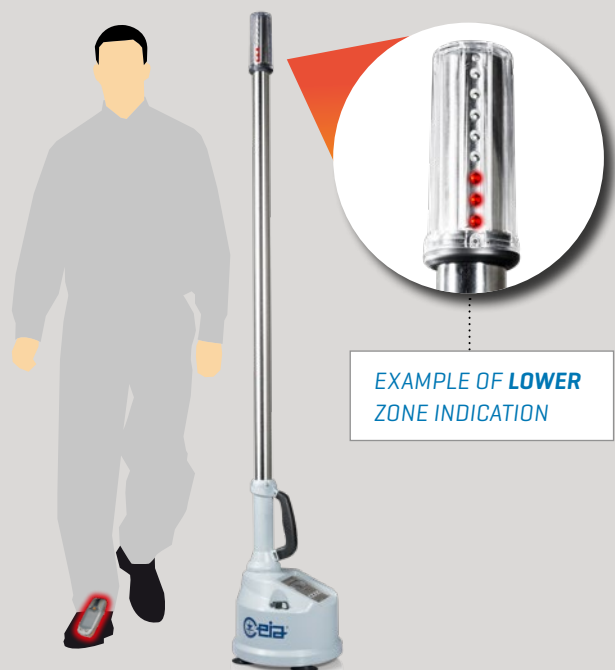
Low battery: double beep

Self-diagnosis alert: intermittent tone

### MULTI-ZONE TARGET INDICATION



EXAMPLE OF MIDDLE ZONE INDICATION



EXAMPLE OF LOWER ZONE INDICATION



## MSD SPECIFICATIONS

### CONTROLS AND INDICATORS

ON/OFF push-button	
4-key keypad, for programming and status readout	
Security	<ul style="list-style-type: none"> <li>• Programming Access protected by User and Super User password</li> </ul>
Power indicator	<ul style="list-style-type: none"> <li>• White lamp</li> </ul>
Alarm indicator	<ul style="list-style-type: none"> <li>• Green light: normal operation, no detection</li> <li>• Red light: target detection over the alarm threshold / Fault indication</li> <li>• Blue light: connecting Bluetooth device in progress</li> </ul>
Graphic display	<ul style="list-style-type: none"> <li>• Messages during use, programming and self-diagnosis alerts</li> </ul>
Multi-color status indicator	<ul style="list-style-type: none"> <li>• Green light: normal operation, no detection</li> <li>• Yellow light: proportional target detection under the alarm threshold</li> <li>• Red light:               <ul style="list-style-type: none"> <li>- Continuous light: target detection over the alarm threshold</li> <li>- 5 different zone indication</li> <li>- Blinking light: fault</li> </ul> </li> <li>• Blue light: connecting Bluetooth device in progress</li> </ul>
Alarm Sounder	<ul style="list-style-type: none"> <li>• Alarm indication for target over the alarm threshold, with fixed or proportional pitch</li> <li>• Warning and alarm indications adjustable in continuous/pulsed tone and volume</li> <li>• Battery low: double beep</li> <li>• Self-diagnosis alert: intermittent tone</li> </ul>
Bluetooth headset	<ul style="list-style-type: none"> <li>• Warning indication for target under the alarm threshold, with fixed or proportional pitch</li> <li>• Alarm indication for target over the alarm threshold, with fixed or proportional pitch</li> <li>• Warning and alarm indications adjustable in continuous/pulsed tone and volume</li> <li>• Battery low: double beep</li> <li>• Diagnosis: intermittent tone</li> </ul>

POWER SUPPLY	AC/DC external power adapter	100 ... 240 V~, 47...63Hz, 40W
	Embedded rechargeable battery	16h typical / 17h max. of continuous operation with 3 h battery charge 24h typical / 26h max. of continuous operation with 4.5 h battery charge

DETECTOR ENVIRONMENTAL CONDITIONS	Working temperature	-10°C to +65°C
	Storage temperature	-37°C to +70°C
	Relative humidity	0 to 95%, non-condensing

WEIGHT	<ul style="list-style-type: none"> <li>• MSD: 9.5 kg</li> <li>• AC/DC adapter: 0.7 Kg</li> <li>• Carrying case: 0.6 Kg</li> <li>• Installation kit: 0.3 kg</li> <li>• Bluetooth kit: 0.2 kg (includes battery charger)</li> </ul>
--------	---

MSD DIMENSIONS	Height: 1900 mm	Width: 330 mm
----------------	-----------------	---------------

SHIPPING INFORMATION	Dimensions (WxDxH)	400 mm x 2000 mm x 480 mm
	Weight	24 kg

DETECTOR DEGREE OF PROTECTION	Fully weather proof for outdoor use (IP65)
-------------------------------	--

AVAILABLE ACCESSORIES	Additional Bluetooth headset: ordering code 70628 (one Bluetooth headset included)
	MSD-RRU Remote Relay Unit: ordering code MSD-RRU
	Wall mounting kit: ordering code 67258

CERTIFICATION AND COMPLIANCE	Non-emitting device: safe for use for pace-makers and other medical implants
	Compliant and certified to the applicable electromagnetic Standards on Human Exposure and pacemaker safety
	Compliant with and certified to the applicable International Standards for electrical safety and EMC

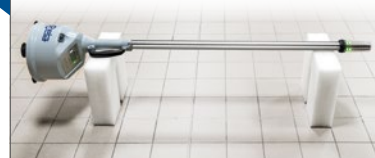
### PASS-BY OPERATION



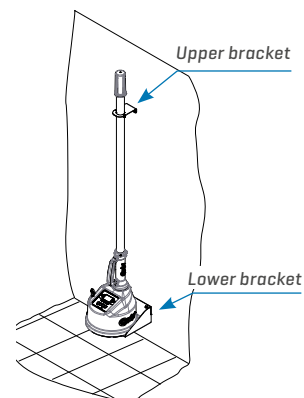
### PASS-THRU OPERATION



### 360° DETECTION



### WALL MOUNTING KIT



CEIA - Zona Industriale 54/G, 52041 Viciomaggio - Arezzo [ITALY]

Tel.: +39 0575 4181 • Fax: +39 0575 418298 • E-mail: infosecurity@ceia-spa.com

www.ceia.net

CEIA reserves the right to make changes, at any moment and without notice, to the models, their accessories and options, to the prices and conditions of sale. DP220K0001V5000hUK-71090

