

02PN20-LFA™

**BREAKTHROUGH SCREENING OF PEOPLE WITH LUGGAGE
AND BAGS FOR MASS CASUALTY METAL THREATS**



www.ceia.net

CEIA reserves the right to make changes, at any moment and without notice, to the models (including programming), their accessories and options, to the prices and conditions of sale. DP060K0085v2000hUK

CEIA introduces the **02PN20 LFA™**, an extremely High-Throughput Walk-Through Detector, for mass casualty screening people with bags and luggage in mass-transit applications.

Different than ferromagnetic detection devices (FMDS), the **02PN20 LFA™** provides higher performances as it detects both ferrous and non-ferrous mass casualty weapons **with near-zero nuisance alarm rate, discriminating cellphones, tablet, laptop PC** and other large metallic personal belongings.

The **02PN20 LFA™** is compact and easy-to-install and is available both in panel and column antenna versions.

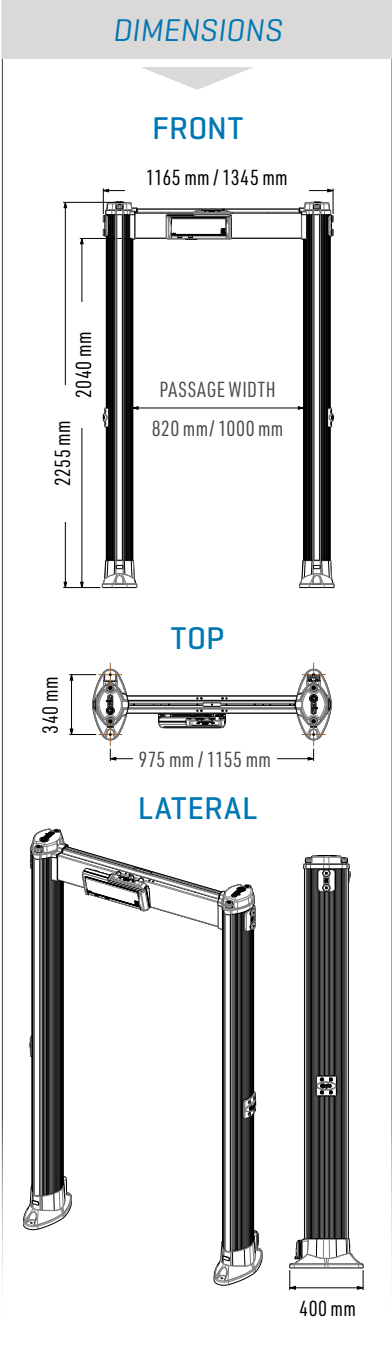
It is also available as a walk-through gate or with separate pillars for integrated applications.

02PN20-LFA™ HIGHLIGHTS

- **DETECTION TARGET:** high caliber assault weapons and other large mass casualties metallic threats
- **OPERATIONAL USE:** extremely high throughput with near-zero nuisance alarms, provides automatic screening of non-divested people along with their carry-on items
- **APPLICATION FIELDS:** cinemas, theaters, stadiums, amusement parks, metro stations, train stations, airports
- Ready to ship now
- Further data and practical demos available upon request



EXAMPLES OF 02PN20-LFA™ USE



CEIA - Zona Industriale 54, 52041 Vicinaggio - Arezzo (ITALY)

T +39 0575 4181 • F +39 0575 418298 • E infosecurity@ceia-spa.com

www.ceia.net

