

ER5

Max Mobility and Flexibility



EasyRobotics
- we move your parts

ER5 mobile cobot platform

The ER5 series from EasyRobotics, is a series of mobile cobot platforms developed to maximize mobility and flexibility in robotic automation.

One of the unique features of ER5 mobile platform is that one person easily can move the workstation, with a complete and fully installed collaborative robot, like pulling a suitcase.

The ER5, all-in-one integrated solution, is part of the EasyRobotics' product range also consisting of ProFeeder, which as ER5 enables robot automation in small and medium sized companies.

ER5-WORK

Is suitable for robot automation in production layouts with limited space or in productions demanding high mobility, flexibility and quick re-deployment due to small series production or the wish of moving the robot between different processing machines.



ER5-WORK

Patent pending and registered design

Suitable for:

Maximizing mobile and flexible robotic automation in dense facilities.
UR3 and UR5 collaborative robots from Universal Robots.

Optional features:

Easy+ software program for convenient set-up.
Interchangeable parts plate.

Integrated heavy duty rubber wheels

- For easy move of fully mounted cobot.

Integrated ventilated compartment for the controller unit. Offers space for adding an excess cable with the Tpad.

Plug and Produce

Due to the ER5-WORK built-in handle and heavy duty wheels, cobots can easily be moved and deployed by one person, pulling a fully mounted cobot on the ER5-WORK platform between the machines, when testing the current or a new layout and production flow.



Multifunctional handle works

- T-pad holder, handle for transport and easy placement of extra rollers for storing in e.g. trunks of vehicles. Optional feature.



Integrated cord winder and foot pad

- Ensuring high safety in productions.
- No loose cords.
- Easy tilting and moving of ER5-WORK.



To achieve stability the ER5 has four adjustable foot stands. The rubber wheel is lifted from the ground.



Interchangeable perforated parts plate

- Space saving feature, containing both un- and processed parts.
- Serving as integrated parts container when moving cobot between processes.



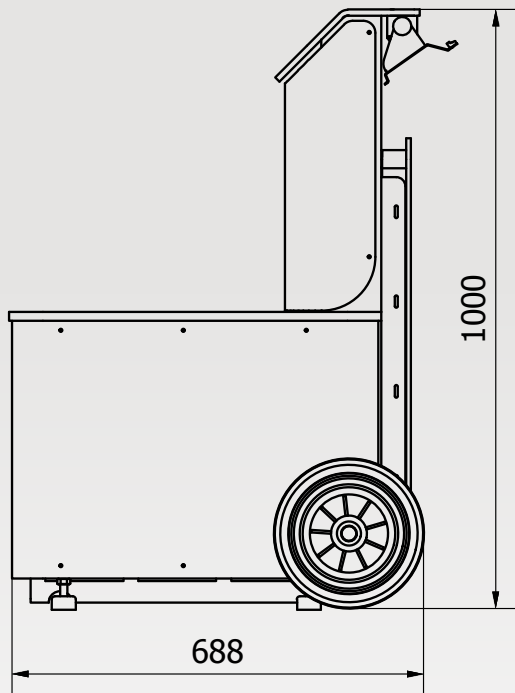
Single-person handling

- ER5-WORK fits fully mounted with a UR cobot in the boot of a van and can be loaded in and out of the boot.

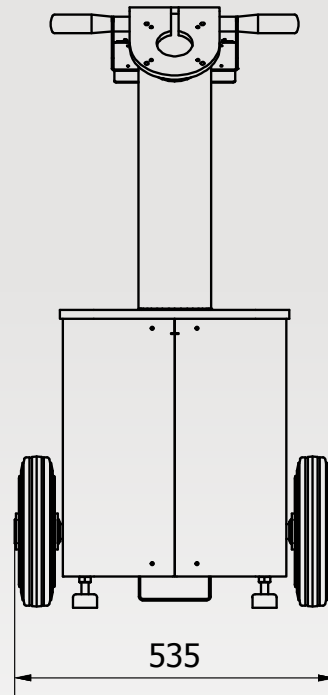
FACT

The compact mobile cobot workstation ER5-WORK enables a flexible and mobile robotic automation in productions with limited space.

ER5-WORK eliminates the use of pallet trucks and pallet forks for moving collaborative robots.



Weight ex. Robot: 45 kg



Easy documentation,
scan QR-code.

ER201805

MACHINETOOL

Oy Machine Tool Co
Teerikukonkuja 4, 00700 Helsinki
Finland
www.machinetool.fi

EasyRobotics

- we move your parts

EasyRobotics ApS
Ellegårdvej 36
DK-6400 Sønderborg
Telefon: +45 73 12 42 03
info@easyrobotics.dk
www.easyrobotics.dk

