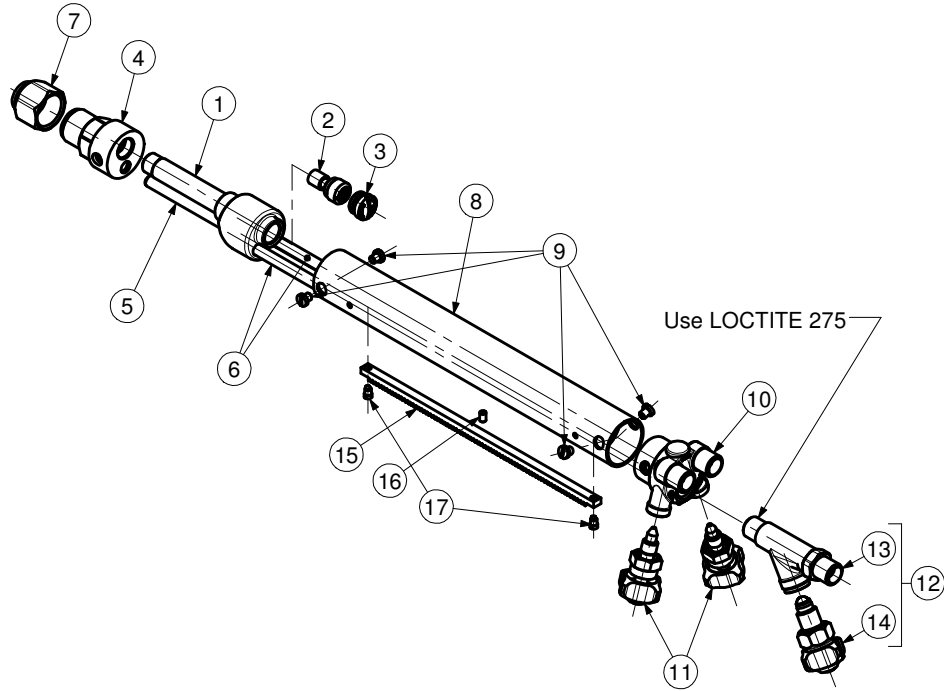


HARRIS

**MACHINE CUTTING TORCH MODEL 198-2TF
UNIVERSAL PRESSURE
OXY-PROPANE**



Note * : Complete with 7

ITEM	PART.No.	Qty	DESCRIPTION	ITEM	PART.No.	Qty	DESCRIPTION
1	198102	1	Body	10	See Table	1	Tail
2	C62F	1	Injector	11	A62GBPS	2	Valve
3	62193F	1	Cap	12	E972C	1	Valve Compl.
4*	198442APS	1	Head	13	9710C	1	Body
5	See Table	1	Tube	14	L972E	1	Valve
6	See Table	2	Tube	15	See Table	1	Rack
7	6259B	1	Nut	16	See Table	1	Screw
8	See Table	1	Handle	17	See Table	2	Screw
9	2877	4	Screw				

PART NUMBER/DESCRIPTION

Item	5	6	8	10	15	16	17
MODEL No.	TUBE	TUBE	HANDLE	TAIL	RACK	SCREW	SCREW
1982TF	9009913	19892	19843	198882T			
1982TF30	9009913	19892	19843D30	19888T30			
1982TF35	9009913	19892	B1984335	9009916			
1982TAF	9009917	19892A	19843A	198882T			
1982TAF30	9009917	19892A	19843E30	19888T30			
1982TAF35	9009917	19892A	B1984335A	9009916			
1982TFR	9009913	19892	19843	198882T	984032		9877
1982TF30R	9009913	19892	19843D30	19888T30	984032		9877
1982TF35R	9009913	19892	B1984335	9009916	984032		9877
1982TAFR	9009917	19892A	19843A	198882T	98A4032	98X772	9877
1982TAF30R	9009917	19892A	19843E30	19888T30	98A4032	98X772	9877
1982TAF35R	9009917	19892A	B1984335A	9009916	98A4032	98X772	9877

SERVICE NOTES

ITEM No.	TORQUE SPECIFICATION	SERVICE TOOL OR NOTES
1		62T7 - 9/16"-27-UNS-3B - Tap For Injector And Cap Seat Threads 62T3 - To Reseat Injector Cap Seat U6244 - To Reseat Injector Seat
2 - 3	81 - 92 kgcm	Screw Driver
4		62T2A - 7/8"-20-UNEF-2A - Die For Tip Nut Threads 62T11A - To Regroove Tip Seat 62T1C - To Reseat Tip Seat
7		25mm Open end Wrench
9		Screw Driver
10		62T9 - 9/16"-27-UNS-3A-RH - Die For Needle Valve Threads 13T2 - 3/8"-24-UNF-3B-RH - Tap For Needle Valve Threads 76T2 - To Reseat Needle Valve Seat 52T2R - To Reseat Oxygen Hose Connection 52T2L - To Reseat Fuel Hose Connection 52T3R - 9/16"-18-UNF-3A-RH - Die Oxygen Hose Threads 52T3L - 9/16"-18-UNF-3A-LH - Die Fuel Hose Threads RT1983 - 1/4"-NPS-RH - Tap For Tail Inlet Threads
11	125 kgcm	17mm Open end Wrench - Use Molykote M-55
13		52T2R - To Reseat H.P. Oxygen Hose Connection 52T3R - 9/16"-18-UNF-3A-RH - Die H.P. Oxygen Hose Threads RT1982 - 1/2"-16-UNS-RH - Tap For H.P. Needle Valve Threads RT897 - 11/16"-27-UNS-RH - Die For H.P. Needle Valve Threads 97T1 - To Reseat H.P. Oxygen Needle Valve Seat
14	70 kgcm	19mm Open end Wrench - Use Molykote M-55
16		2mm Allen Hex Wrench - Use LOCTITE 641
17		Screw Driver - Use LOCTITE 641

IMPORTANT: All repairs or conversions should be carried out by a qualified repairer, with genuine HARRIS parts, to HARRIS repair specifications, and in accordance with local laws or regulations. No contaminant (grease, oil, others) to come in contact with oxygen.