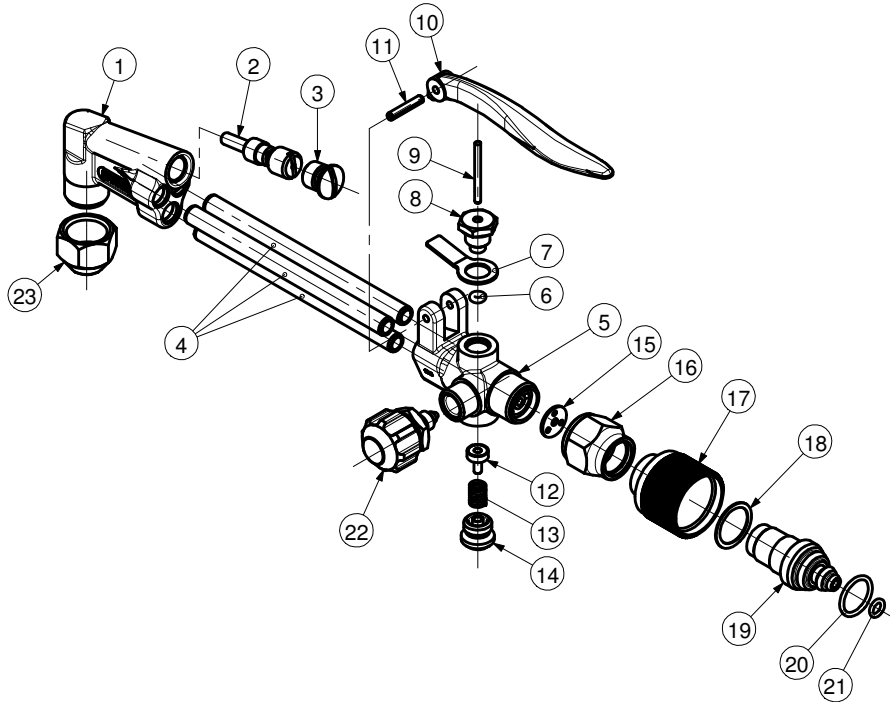


CUTTING ATTACHMENT
MODEL 36-2



ITEM	PART.No.	Qty	DESCRIPTION	ITEM	PART.No.	Qty	DESCRIPTION
1	3644APS	1	Head	13	5085	1	Spring
2	3655	1	Mixer	14	5019	1	Cap
3	3619	1	Cap	15	3639	1	Gasket
4	36922	3	Tube	16	36596	1	Union Nut
5	3610B	1	Body	17	1959B	1	Union Nut
6	215X714A	1	O-Ring	18	1996	1	Washer
7	36852	1	Spring	19	36862A	1	Stem
8	36772	1	Guide	20	215X715223A	1	O-Ring
9	36662	1	Plunger	21	215X715105A	1	O-Ring
10	3653A	1	Lever	22	A362APS	1	Valve
11	36X61	1	Roll Pin	23	9008437	1	Nut
12	5095	1	Valve				

SERVICE NOTES

ITEM No.	TORQUE SPECIFICATION	SERVICE TOOL OR NOTES
1		75T2 - 9/16"-24-UNEF-3A-RH - Die For Tip Nut Threads
		36T1 - To Reseat Tip Seat
		36T11 - To Regroove Tip Seat
		36T4 - To Reseat Mixer Seat
		50T8 - 11/32"-32-UNS-3B-RH - Tap For Mixer and Cap Threads
		36T3 - To Reseat Mixer Cap Seat
2	23 kgcm	Screw Driver
3	29 kgcm	Screw Driver
5		12T6 - 7/16"-27-UNS-3A-RH - Die For Needle Valve Threads
		53T3 - 1/4"-32-UNEF-3B-RH - Tap For Needle Valve Threads
		36T6 - To Reseat Needle Valve Seat
		50T1 - To Reseat Valve Seat
		3610T5 - To Reseat Cap Seat
		RT50101 - 23/64"-26-UNS-RH - Tap For Cap Threads
		74T13 - 5/16"-32-UNEF-3B-RH - Tap For Guide Threads
		62T9 - 9/16"-27-UNS-3A-RH - Die For Body Inlet Threads
6		Use Molykote M-55
8	46 kgcm	11mm Hex Wrench
14	40 kgcm	Screw Driver
16	138 kgcm	17mm Open end Wrench
22	31 kgcm	14mm Open end Wrench - Use Molykote M-55
23		17mm Open end Wrench

IMPORTANT: All repairs or conversions should be carried out by a qualified repairer, with genuine HARRIS parts, to HARRIS repair specifications, and in accordance with local laws or regulations. No contaminant (grease, oil, others) to come in contact with oxygen.