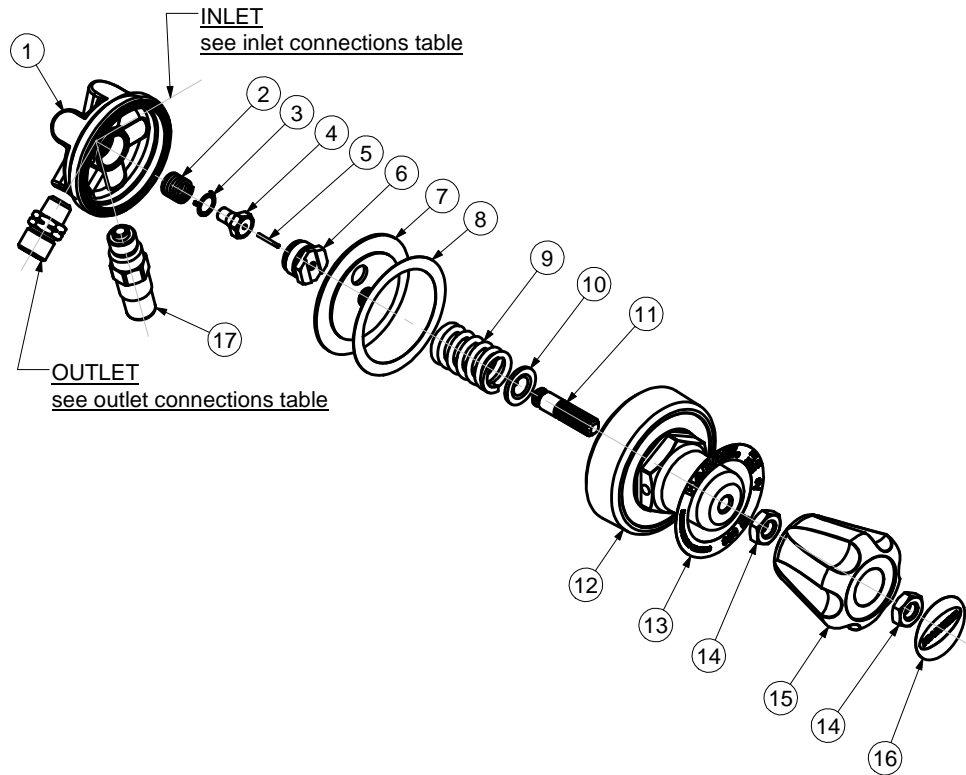




**SINGLE STAGE
GAUGELESS REGULATORS
-MODEL 829**



ITEM	PART No.	QTY	DESCRIPTION	ITEM	PART No.	QTY	DESCRIPTION
1	829104	1	Body	10	10164	1	Pivot
2	92853	1	Spring	11	80177	1	Adjust screw
3	See Table	1	Antivibrator	12	See Table	1	Bonnet
4	A92	1	Valve seat	13	According to country	1	Nameplate
5	9266	1	Plunger	14	80159	2	Nut
6	2558	1	Nozzle	15	82528	1	Knob
7	See Table	1	Diaphragm assy	16	According to country	1	Knob label
8	See Table	1	Slip ring	17	See Table	1	Indicator
9	See Table	1	Spring				

Item	PART NUMBER / DESCRIPTION					
	3	7	8	9	12	17
MODEL No.	ANTIVIBRATOR	DIAPHRAGM	SLIP RING	SPRING	BONNET	INDICATOR
8291,5AC	92963	9100146	2571	44854	H8292R	IA9920MA
8291,5LP	92963	9100146	2571	44854	H8292R	IP9920MP
8293,5LP	92963	9100146	2571	2985	H8292Q	IP9920MP
8298OX	92963A	9100803		928562	H829Q	IO99210M
829150AC	92963	9100146	2571	44854	H8292R	IA9920MA
829150LP	92963	9100146	2571	44854	H8292R	IP9920MP
829350LP	92963	9100146	2571	2985	H8292Q	IP9920MP
829800OX	92963A	9100803		928562	H829Q	IO99210M

SERVICE NOTES		
ITEM No.	TORQUE SPECIFICATION	SERVICE TOOL OR NOTES
Assembly Complete		25T1C - Holding fixture-secure in vice and locate assembly in fixture
6	65 - 85 Nm	19mm hex socket wrench
11		Lube with Fomblin RT 15 or Krytox GPL 226 Grease
12	48 - 70 Nm	1" 5/8 inch hex wrench
14		RT8001 - Special socket wrench
17	32 - 40 Nm	18mm hex wrench
Outlet	35 - 60 Nm	Wrench hex varies - Use LOCTITE 270
Inlet	35 - 60 Nm	Wrench hex varies - Use LOCTITE 270
IMPORTANT:	All repairs or conversions should be carried out by a qualified repairer, with genuine HARRIS parts, to HARRIS repair specifications, and in accordance with local laws or regulations. No contaminant (grease, oil, others) to come in contact with oxygen.	