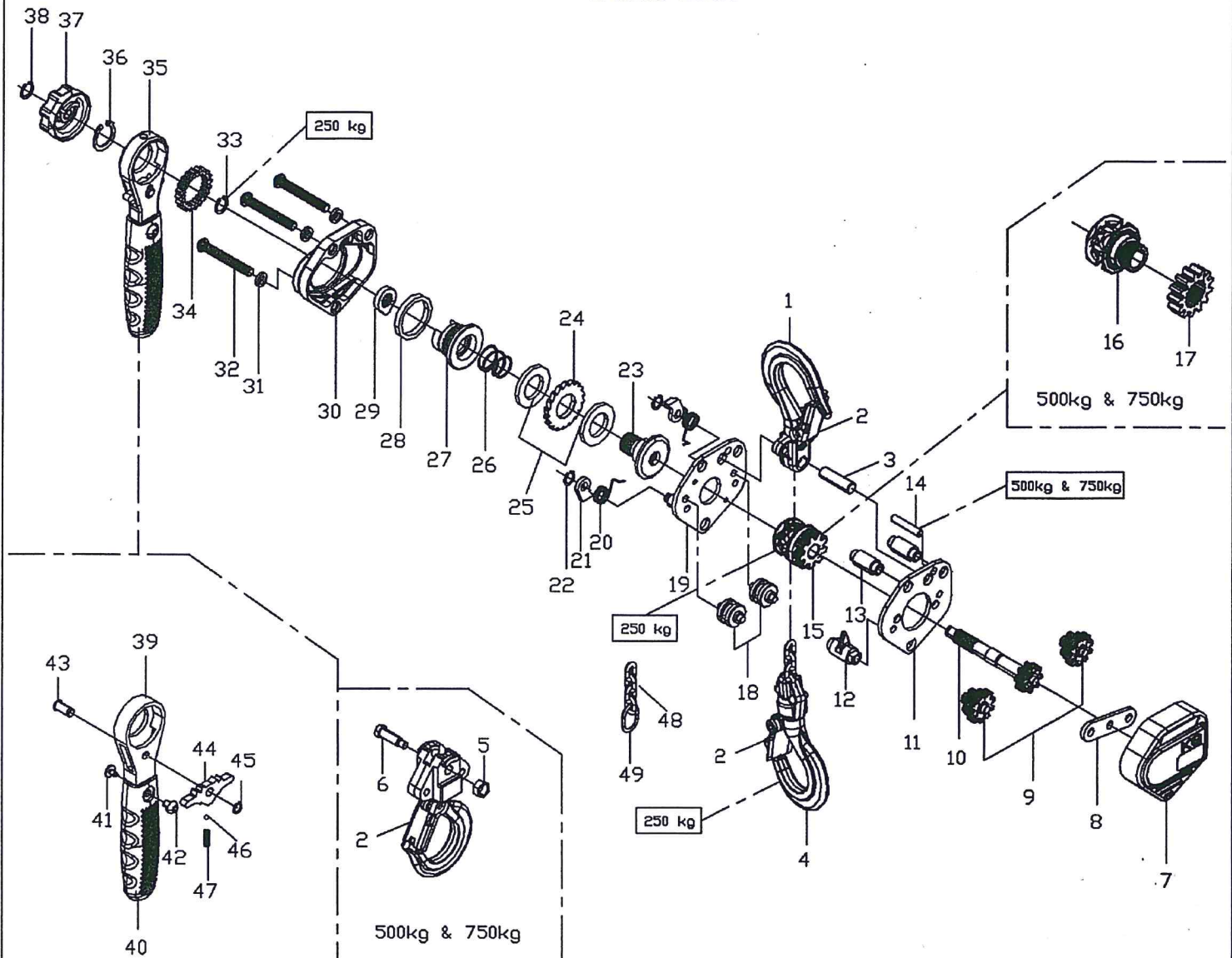
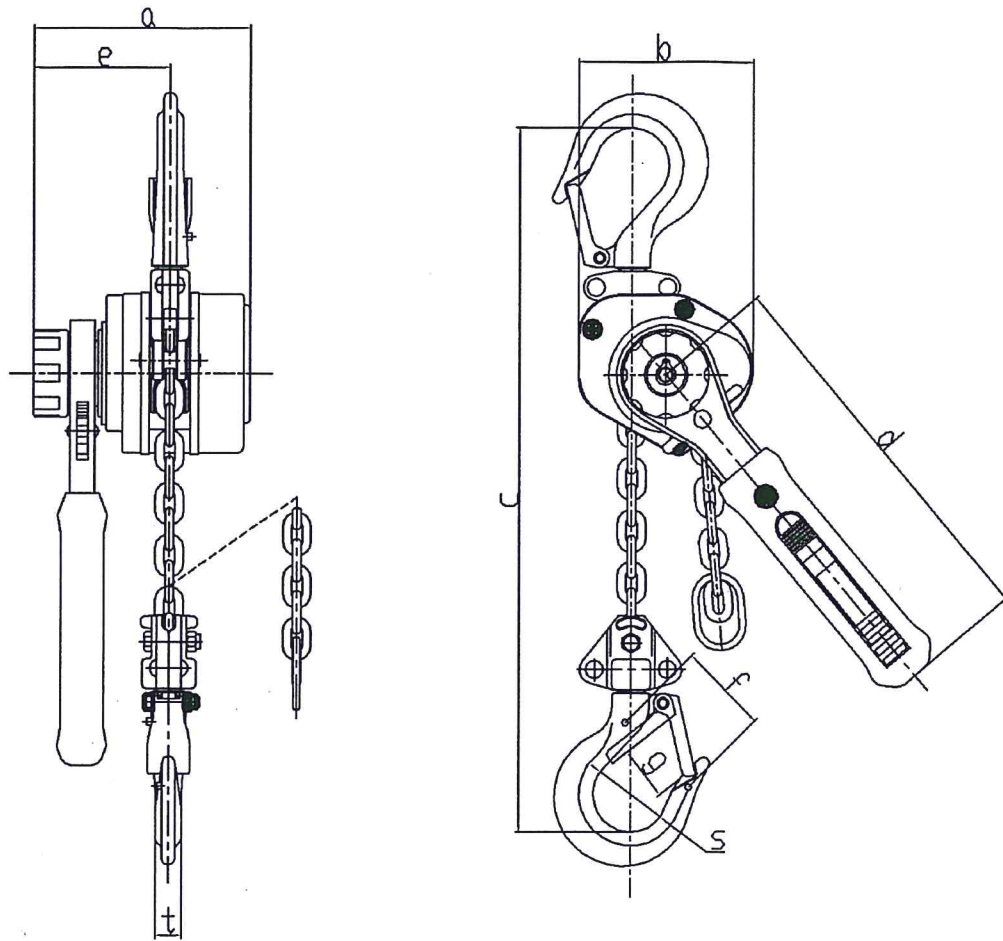


Parts List



No	Description	Qty	025 250 kg	050 500 kg	075 750 kg	No	Description	Qty	025 250 kg	050 500 kg	075 750 kg	
1	Top Hook Assembly (Incl. #2)	1	025-1	050-1	075-1	26	Spring	1	025-26	050-26	075-26	
2	Safety Latch Kit	2	025-2	050-2	075-2	27	Brake Plate	1	025-27	050-27	075-27	
3	Top Hook Shaft	1	025-3	050-3	075-3	28	Bushing	1	025-28	050-28	075-28	
4	Bottom Hook Assembly (Incl. #2)	1	025-4	050-4	075-4	29	Cam Guide	1	025-29	050-29	075-29	
5	Locking Nut (500 kg & 750 kg)	1		050-5	075-5	30	Brake Cover	1	025-30	050-30	075-30	
6	Chain Pin (500 kg & 750 kg)	1		050-6	075-6	31	Spring Washer	3	025-31	050-31	075-31	
7	Gear Case	1	025-7	050-7	075-7	32	Socket Head Screw	3	025-32	050-32	075-32	
8	Reinforced Plate	1	025-8	050-8	075-8	33	Snap Ring for Brake Seat (250 kg)	1	025-33			
9	Load Gear	2	025-9	050-9	075-9	34	Change Over Gear	1	025-34	050-34	075-34	
10	Driving Pinion	1	025-10	050-10	075-10	35	5 Lever Handle Assembly	1	025-35	050-35	075-35	
11	Right Side Plate	1	025-11	050-11	075-11		39	Lever Handle	1	025-39	050-39	075-39
12	Chain Stripper	1	025-12	050-12	075-12		40	Handle Sleeve	1	025-40	050-40	075-40
13	Stay Bolt	2	025-13	050-13	075-13		41	Bolt	1	025-41	050-41	075-41
14	Pin	1		050-14	075-14		42	Locking Nut	1	025-42	050-42	075-42
15	Load Sheave Assembly (250 kg)	1	025-15				43	Selector Lever	1	025-43	050-43	075-43
16	Load Gear (500 kg & 750 kg)	1		050-16	075-16		44	Change Over Pawl	1	025-44	050-44	075-44
17	Load Sheave (500 kg & 750 kg)	1		050-17	075-17		45	Snap Ring for Change Over Pawl	1	025-45	050-45	075-45
18	Chain Guide	2	025-18	050-18	075-18		46	Roller	1	025-46	050-46	075-46
19	Left Side Plate Assembly	1	025-19	050-19	075-19		47	Change Over Spring	1	025-47	050-47	075-47
20	Pawl Spring	2	025-20	050-20	075-20	36	Snap Ring	1	025-36	050-36	075-36	
21	Pawl	2	025-21	050-21	075-21	37	Hand Wheel	1	025-37	050-37	075-37	
22	Snap Ring for Pawl	2	025-22	050-22	075-22	38	Snap Ring for Hand Wheel	1	025-38	050-38	075-38	
23	Brake Seat	1	025-23	050-23	075-23	48	Load Chain	1	025-48	050-48	075-48	
24	Ratchet Disc	1	025-24	050-24	075-24	49	End Ring	1	025-49	050-49	075-49	
25	Friction Disc	2	025-25	050-25	075-25							



Rated Capacity	(kg)	250	500	750	1500
Model No		KX025	KX050	KX075	KX150
Standard Lift	(m)	1.2	1.5	1.5	1.5
Pull to Lift Capacity	(N)	200	240	290	320
Load Chain Diameter	(mm)	ø3.2	ø4.3	ø5	ø7.1
No. of Falls		1	1	1	1
Proof Load	(kg)	375	750	1125	2250
Net Weight	(kg)	1.5	2.5	3.4	5.9
Gross Weight	(kg)	1.7	2.7	3.6	6.2
Dimensions (mm)	a	87	100.5	105	122
	b	68	81	92	109
	c	200	250	260	330
	d	145	160	180	220
	e	55.5	62.5	64	68.5
	f	35.5	42	42	52
	g	21	24.5	28.5	35
	s	32	34.5	35.5	42.5
	t	11	12	14	21.5